

PRODUCT CATALOGUE

WHEEL ACCESSORIES

11TH EDITION

Bimecc[®]

lug nuts & bolts

GENERAL INDEX

WHEEL ACCESSORIES

| | |
|--------------|----|
| INTRO | 4 |
| CARS | 8 |
| TRUCK | 70 |
| EDGEX | 82 |



ABOUT US

Bimecc Engineering, a leading European manufacturer of fastening solutions and accessories for car alloy wheels.

In an ever-growing competitive market, Bimecc's state of the art manufacturing facility continues to produce products to the highest possible standards and strives to exceed customers expectations regarding quality and delivery service.

To guarantee the best service in North Europe and in Usa, Bimecc has established two warehouses: the first based in Hertfordshire UK, the second in California USA.

OUR VISION

"A wrong fitting of a car wheel might be a safety problem. Bimecc knows how to solve it"

OUR MISSION

"Providing fastening solutions and accessories for car wheels"

To be an excellent supplier, with above average development and maintenance ideals specializing in state-of-the art wheel accessories.

We shall strive to excel in services rendered to our customers by consistently delivering the highest quality product and services on schedule.

R&D

Innovating and investing in Research & Development are among the main aims of Bimecc Company. Bimecc employs the most modern CAD/CAM software to develop its products. This guarantees high efficiency, high quality and short development times from concept to final approval.

Our machinery division uses the most advanced computerized systems and it is completely automated to achieve the highest production in the best quality and at low costs. Our high-precision production processes ensure that our products are well fitted for automated assembly lines.

Bimecc R&D and Engineering team are ready to work with its customers in order to ensure all the required specifications.

CUSTOMIZATION

Besides personalized labeling and packaging, Bimecc with its flexible manufacturing capabilities offers to the customer a product customization service also.

In short time, starting from our standard range of products we can reduce the length of a thread or the outside diameter of a cylindrical head bolt as well reduce the cone of a conic nut.

We can also produce car wheel fasteners by customer drawing.

QUALITY

The main aim of Bimecc quality policy is to fulfill its customers' needs by a continuous improvement of its processes.

Every process in Bimecc follows ISO 9001 and IATF 16949 standards.

The quality system management controls both the conformity to the procedures of every single activity, according to ISO 9001 and IATF 16949, and the quality of its products. Bimecc guarantees an extremely high quality level by using the latest measurement tools for dimensional, corrosion and torque-tension tests.

Bimecc management system is "Risk-based Thinking", that means that Bimecc takes preventive actions in order to avoid any potential risk that could affect the quality of its product.

QUALITY ACCREDITATION

In 2017 Bimecc updated ISO9001 quality system certification in its last release: ISO9001:2015.

In the same year Bimecc achieved IATF 16949:2016, the quality system certification for automotive production.

TUV SUD Italia released both certifications.



PACKAGING

Bimecc offers a wide range of packaging.

Bimecc can save our customers time and money by custom packaging and labelling its parts to fit your needs. For requirements ranging from boxing parts to custom labelling, our Custom Packaging Department can help.

The Custom Packaging Department provides two primary services.

One service offers the option of packaging product to meet the specific needs of the customer. We can package specific parts with specific quantities in a variety of boxes or bags. We can also customize these packages' labels with information relating to the product.

The other service provided by Custom Packaging is maintaining sufficient inventory quantities of the parts offered in our catalogue in bulk version.

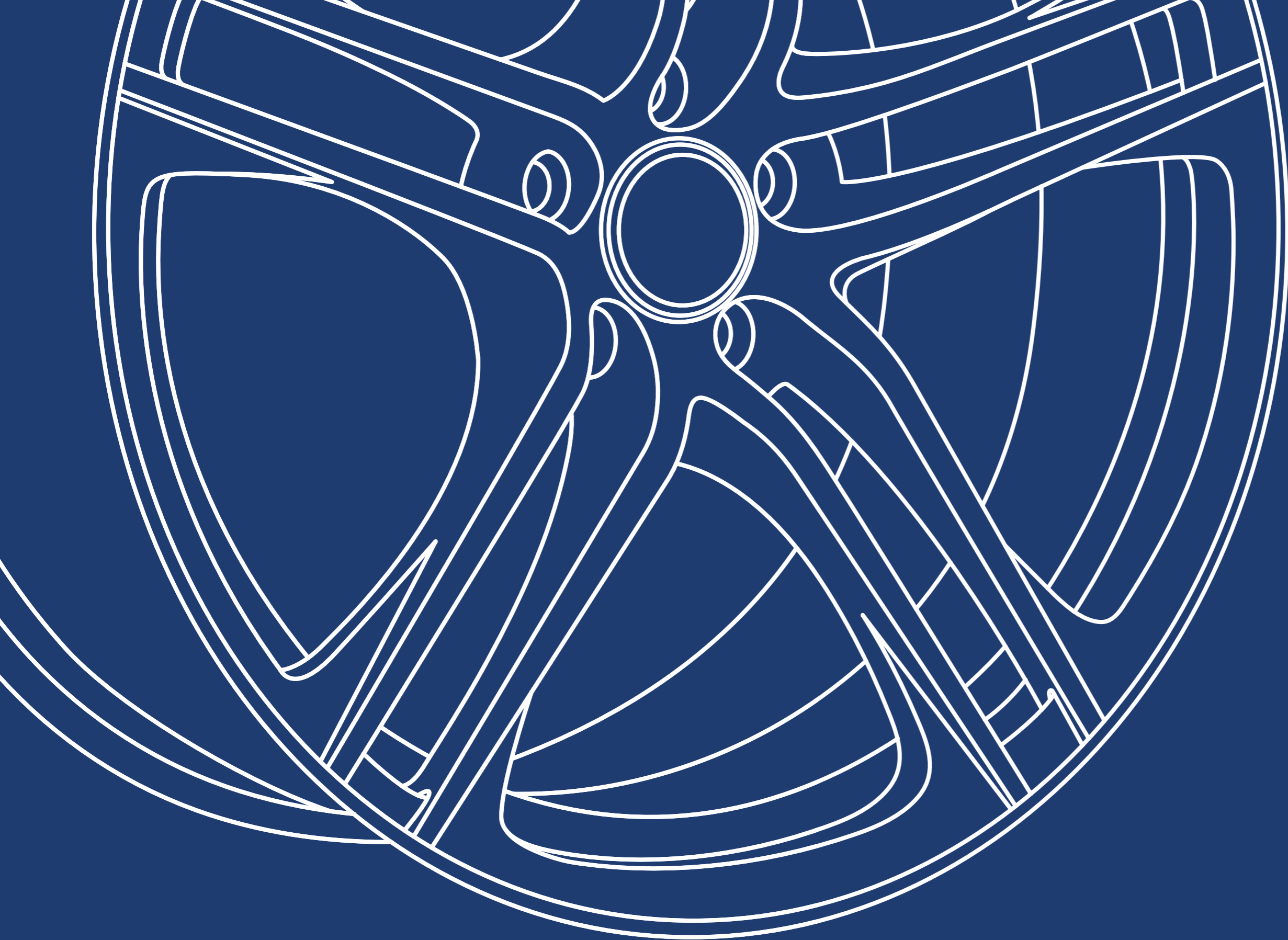


BLISTER PACKAGING

Bimecc cares about wheel safety.

In fact, our company is playing an active role to make wheel specialists and drivers more conscious of the relevant link between wheel fastenings and car safety. Our sales team is at your disposal for any information. If you are interested and you want to discover more about our campaign 'Bimecc Blister makes your car safer', please visit the web site: www.bimecc.it





CARS

CARS INDEX

NUTS & BOLTS

| | |
|-----------------------|----|
| AFTERMARKET | 12 |
| I. LUG NUTS | 14 |
| • cone seat | |
| • ball seat | |
| • tuner | |
| II. LUG BOLTS | 24 |
| • cone seat | |
| • ball seat | |
| • flat seat | |
| • tuner | |
| OE APPLICATION | 34 |

ACCESSORIES

| | |
|----------------------|----|
| LOCK KITS | 56 |
| • for nuts | |
| • for bolts | |
| PCD | 58 |
| • for nuts | |
| • for bolts | |
| STUDS | 59 |
| • spline wheel studs | |
| • hub studs | |
| WHEEL INSERTS | 60 |
| WHEEL SPACERS | 61 |
| HUB RINGS | 62 |

AESTHETICS

| | |
|---|----|
| PLASTIC COVER CAPS | 66 |
| AESTHETIC & MODULAR STUDS AND NUTS | 67 |
| WHEEL CENTER CAPS | 68 |

LUG NUTS

CONE SEAT 60° 17 mm HEX

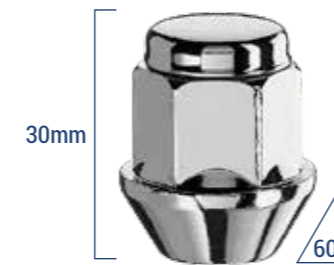


| CLOSED LUG NUTS CONE SEAT 17mm HEX | |
|---------------------------------------|---------|
| THREAD SIZE | PART # |
| M12x1,5 | D90 |
| M12x1,25 | D91 |
| M12x1,75 | enquire |
| M14x1,5 | D90D |
| M14x2 | enquire |
| 3/8 UNF | enquire |
| 7/16 UNF | enquire |
| 1/2 UNF | D92 |
| 9/16 UNF | enquire |

| OPEN LUG NUTS CONE SEAT 17mm HEX | |
|-------------------------------------|----------|
| THREAD SIZE | PART # |
| M12x1,5 | D95 |
| M12x1,25 | D96 |
| M12x1,75 | D99 |
| M14x1,5 | D95D |
| M14x1,25 | D95DX125 |
| 3/8 UNF | enquire |
| 7/16 UNF | enquire |
| 1/2 UNF | D97 |
| 9/16 UNF | enquire |

| OPEN LUG NUTS CONE SEAT 17mm HEX | |
|-------------------------------------|--------|
| THREAD SIZE | PART # |
| M12x1,5 | D95RH |
| M12x1,25 | D96RH |

CONE SEAT 60° 19 mm (3/4") HEX



Lifetime Warranty
RUST PROOF STAINLESS STEEL CAP

| CLOSED LUG NUTS CONE SEAT 19mm HEX | |
|---------------------------------------|---------|
| THREAD SIZE | PART # |
| M12x1,5 | D1 |
| M12x1,25 | D3 |
| M12x1,75 | D175 |
| M14x1,5 | D5 |
| M14x2 | D5X2 |
| 3/8 UNF | enquire |
| 7/16 UNF | D7 |
| 1/2 UNF | D4 |
| 9/16 UNF | enquire |

| CLOSED LUG NUTS CONE SEAT 19mm HEX | |
|---------------------------------------|---------|
| THREAD SIZE | PART # |
| M12x1,5 | D6 |
| M12x1,25 | D2 |
| M12x1,75 | enquire |
| M14x1,5 | D13 |
| M14x2 | D13X2 |
| 3/8 UNF | D638 |
| 7/16 UNF | D16 |
| 1/2 UNF | D10 |
| 9/16 UNF | D6H |

| CLOSED LUG NUTS - CONE SEAT 19mm HEX w/ STAINLESS STEEL CAP | |
|--|---------|
| THREAD SIZE | PART # |
| M12x1,5 | D30 |
| M12x1,25 | D31 |
| M12x1,75 | D35 |
| M14x1,5 | D32 |
| M14x2 | enquire |
| 3/8 UNF | enquire |
| 7/16 UNF | enquire |
| 1/2 UNF | D33 |
| 9/16 UNF | enquire |

LUG NUTS

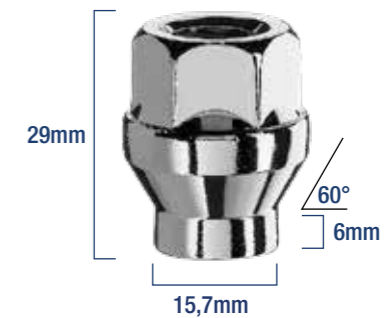
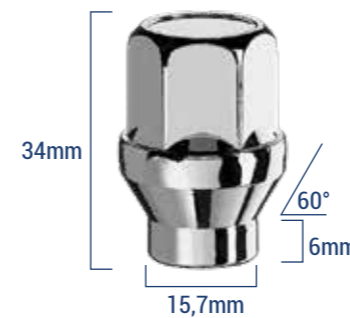
CONE SEAT 60° 19 mm (3/4") HEX



| OPEN LUG NUTS CONE SEAT 19mm HEX | |
|-------------------------------------|---------|
| THREAD SIZE | PART # |
| M12x1,5 | D14 |
| M12x1,25 | D23 |
| M12x1,75 | D1475 |
| M14x1,5 | D17 |
| M14x2 | D17X2 |
| M14x1,25 | D17X125 |
| 3/8 UNF | enquire |
| 7/16 UNF | D14U16 |
| 1/2 UNF | D22 |
| 9/16 UNF | enquire |

| OPEN LUG NUTS CONE SEAT 19mm HEX | |
|-------------------------------------|---------|
| THREAD SIZE | PART # |
| M12x1,5 | D60 |
| M12x1,25 | D61 |
| M12x1,75 | enquire |
| M14x1,5 | D62 |
| M14x2 | D62X2 |
| 3/8 UNF | enquire |
| 7/16 UNF | D64 |
| 1/2 UNF | D63 |
| 9/16 UNF | D60H |

CONE SEAT 60° 19 mm (3/4") HEX



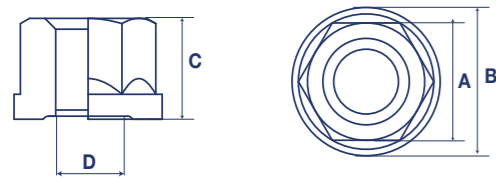
| OFF ROAD LUG NUTS CONE SEAT 19mm w/SHANK | |
|---|---------|
| THREAD SIZE | PART # |
| M12x1,5 | D40 |
| M12x1,25 | D41 |
| M12x1,75 | D45 |
| M14x1,5 | D42 |
| M14x2 | enquire |
| 3/8 UNF | enquire |
| 7/16 UNF | enquire |
| 1/2 UNF | D43 |
| 9/16 UNF | enquire |

| OPEN OFF ROAD LUG NUTS CONE SEAT 19mm w/SHANK | |
|--|---------|
| THREAD SIZE | PART # |
| M12x1,5 | D110 |
| M12x1,25 | D111 |
| M12x1,75 | enquire |
| M14x1,5 | D113 |
| M14x2 | D114 |
| 3/8 UNF | enquire |
| 7/16 UNF | enquire |
| 1/2 UNF | D112 |
| 9/16 UNF | D115 |

LUG NUTS

FLAT NUTS

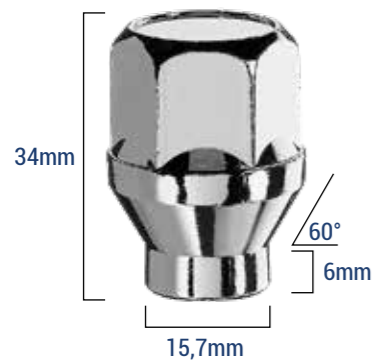
19 mm (3/4") HEX



| PART NR. | A | B | C | D | Quality Class | Surface | Res. to corrosion |
|----------|----|----|----|---------|---------------|----------|-------------------|
| DR/1P | 19 | 24 | 17 | 12x1,5 | 8 | Zn White | >96h SST |
| DR/2P | 19 | 24 | 17 | 12x1,25 | 8 | Zn White | >96h SST |

CONE SEAT 60°

21 mm (13/16") HEX

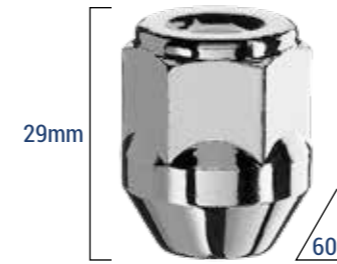


| OFF ROAD LUG NUTS CONE SEAT 21mm HEX w/SHANK | |
|---|---------|
| THREAD SIZE | PART # |
| M12x1,5 | D70 |
| M12x1,25 | D71 |
| M12x1,75 | enquire |
| M14x1,5 | D76 |
| M14x2 | enquire |
| 3/8 UNF | enquire |
| 7/16 UNF | enquire |
| 1/2 UNF | D73 |
| 9/16 UNF | enquire |

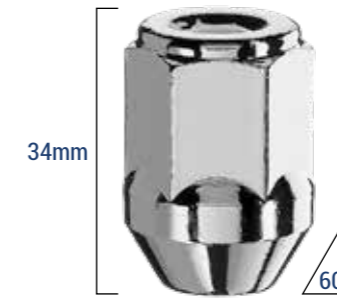
LUG NUTS

CONE SEAT 60°

21 mm (13/16") HEX



| CLOSED LUG NUTS CONE SEAT 21mm HEX | |
|---------------------------------------|---------|
| THREAD SIZE | PART # |
| M12x1,5 | D26 |
| M12x1,25 | enquire |
| M12x1,75 | enquire |
| M14x1,5 | enquire |
| M14x2 | enquire |
| 3/8 UNF | enquire |
| 7/16 UNF | enquire |
| 1/2 UNF | enquire |
| 9/16 UNF | enquire |



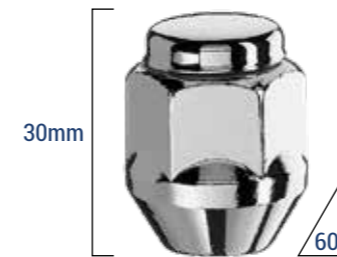
| CLOSED LUG NUTS CONE SEAT 21mm HEX | |
|---------------------------------------|---------|
| THREAD SIZE | PART # |
| M12x1,5 | D8 |
| M12x1,25 | D9 |
| M12x1,75 | enquire |
| M14x1,5 | D8D |
| M14x2 | enquire |
| 3/8 UNF | enquire |
| 7/16 UNF | enquire |
| 1/2 UNF | D15 |
| 9/16 UNF | enquire |



| CLOSED LUG NUTS CONE SEAT 21mm HEX | |
|---------------------------------------|----------|
| THREAD SIZE | PART # |
| M14X2 | D8DX2-55 |

CONE SEAT 60°

21 mm (13/16") HEX



| CLOSED LUG NUTS - CONE SEAT 21mm HEX w/ STAINLES STEEL CAP | |
|---|---------|
| THREAD SIZE | PART # |
| M12x1,5 | D50 |
| M12x1,25 | D51 |
| M12x1,75 | enquire |
| M14x1,5 | D52 |
| M14x2 | enquire |
| 3/8 UNF | enquire |
| 7/16 UNF | enquire |
| 1/2 UNF | enquire |
| 9/16 UNF | enquire |

Lifetime Warranty
RUST PROOF STAINLESS STEEL CAP

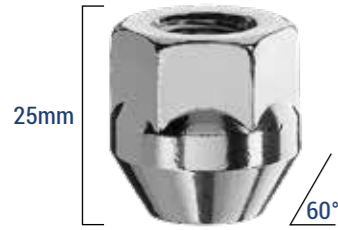


| CLOSED LUG NUTS - CONE SEAT 21mm HEX w/ STAINLES STEEL CAP | |
|---|---------|
| THREAD SIZE | PART # |
| M12x1,5 | D29 |
| M12x1,25 | enquire |
| M12x1,75 | enquire |
| M14x1,5 | D29D |
| M14x2 | D29X2 |
| 3/8 UNF | enquire |
| 7/16 UNF | enquire |
| 1/2 UNF | D29U2 |
| 9/16 UNF | D29G |

LUG NUTS

CONE SEAT 60°
21 mm (13/16") HEX

IDEAL FOR UNDER CAP FITMENT



| OPEN LUG NUTS CONE SEAT 21mm HEX | |
|-------------------------------------|---------|
| THREAD SIZE | PART # |
| M12x1,5 | D21 |
| M12x1,25 | D24 |
| M12x1,75 | enquire |
| M14x1,5 | D21D |
| M14x2 | enquire |
| 3/8 UNF | enquire |
| 7/16 UNF | enquire |
| 1/2 UNF | enquire |
| 9/16 UNF | enquire |

CONE SEAT 60°
22 mm (7/8") HEX



| OPEN LUG NUTS CONE SEAT 22mm HEX | |
|-------------------------------------|---------|
| THREAD SIZE | PART # |
| M12x1,5 | enquire |
| M12x1,25 | enquire |
| M12x1,75 | enquire |
| M14x1,5 | D18D |
| M14x2 | D18X2 |
| 3/8 UNF | enquire |
| 7/16 UNF | enquire |
| 1/2 UNF | D18 |
| 9/16 UNF | enquire |

CONE SEAT 60°
22 mm (7/8") HEX



| CLOSED LUG NUTS CONE SEAT 22mm HEX W/STAINLESS STEEL CAP | |
|--|-----------|
| THREAD SIZE | PART # |
| M12x1,5 | enquire |
| M12x1,25 | enquire |
| M12x1,75 | enquire |
| M14x1,5 | DC22D60 |
| M14x2 | DC22D14X2 |
| 3/8 UNF | enquire |
| 7/16 UNF | enquire |
| 1/2 UNF | enquire |
| 9/16 UNF | DC22G60 |



| CLOSED LUG NUTS CONE SEAT 22mm HEX W/STAINLESS STEEL CAP | |
|--|---------|
| THREAD SIZE | PART # |
| M12x1,5 | enquire |
| M12x1,25 | enquire |
| M12x1,75 | enquire |
| M14x1,5 | enquire |
| M14x2 | enquire |
| 3/8 UNF | enquire |
| 7/16 UNF | enquire |
| 1/2 UNF | enquire |
| 9/16 UNF | DC22G75 |

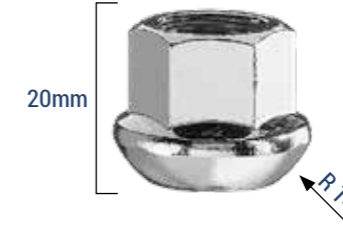
LUG NUTS

BALL SEAT 60°
19 mm HEX

CLASS 10

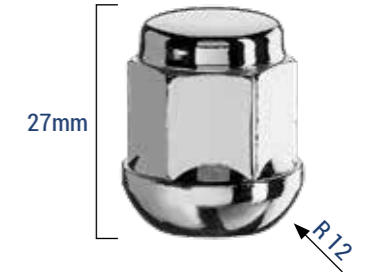


| OPEN LUG NUTS - BALL SEAT 19mm HEX (RADIUS 12MM) | |
|---|---------|
| THREAD SIZE | PART # |
| M12x1,5 | D14R |
| M12x1,25 | enquire |
| M12x1,75 | enquire |
| M14x1,5 | enquire |
| M14x2 | enquire |
| 3/8 UNF | enquire |
| 7/16 UNF | enquire |
| 1/2 UNF | enquire |
| 9/16 UNF | enquire |



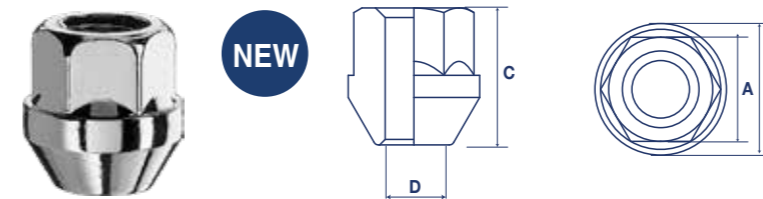
| OPEN LUG NUTS - BALL SEAT 19mm HEX (RADIUS 14MM) | |
|---|---------|
| THREAD SIZE | PART # |
| M12x1,5 | enquire |
| M12x1,25 | enquire |
| M12x1,75 | enquire |
| M14x1,5 | D17R |
| M14x2 | enquire |
| 3/8 UNF | enquire |
| 7/16 UNF | enquire |
| 1/2 UNF | enquire |
| 9/16 UNF | enquire |

Lifetime Warranty
RUST PROOF STAINLESS STEEL CAP

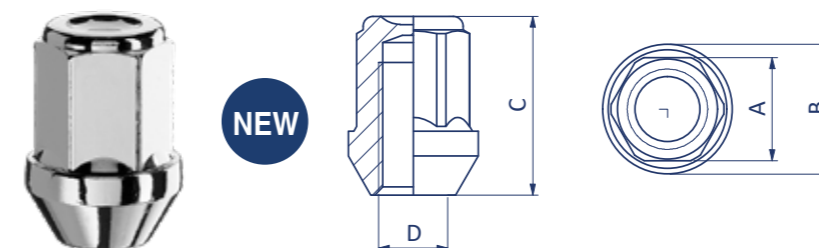


| CLOSED LUG NUTS - BALL SEAT 19mm HEX w/STAINLESS STEEL CAP (RADIUS 12MM) | |
|--|---------|
| THREAD SIZE | PART # |
| M12x1,5 | D30R |
| M12x1,25 | D31R |
| M12x1,75 | enquire |
| M14x1,5 | D32R |
| M14x2 | enquire |
| 3/8 UNF | enquire |
| 7/16 UNF | enquire |
| 1/2 UNF | D33R |
| 9/16 UNF | enquire |

HIGH RESISTANCE NUTS CLASS 10



| Part nr. | A | B | C | D | Quality Class | Surface | Res. to corrosion |
|----------|----|----|----|---------|---------------|----------|-------------------|
| D14CL10 | 19 | 24 | 25 | M12x1,5 | 10 | Zn White | >96h SST |
| D17CL10 | 19 | 24 | 25 | M14x1,5 | 10 | Zn White | >96h SST |

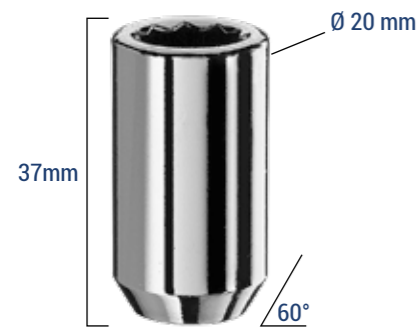


| Part nr. | A | B | C | D | Quality Class | Surface | Res. to corrosion |
|----------|----|----|----|---------|---------------|----------|-------------------|
| D13CL10 | 19 | 24 | 33 | M14x1,5 | 10 | Zn White | >96h SST |

LUG NUTS

TUNER NUTS

20 & 21,6 mm OUTSIDE DIAMETER



| TUNER LUG NUTS CONE SEAT 20mm OD | |
|-------------------------------------|----------|
| THREAD SIZE | PART # |
| M12x1,5 | DST20A |
| M12x1,25 | DST20B |
| M12x1,75 | enquire |
| M14x1,5 | DST20D |
| M14x2 | DST20DX2 |
| 3/8 UNF | enquire |
| 7/16 UNF | enquire |
| 1/2 UNF | DST20E |
| 9/16 UNF | enquire |



| TUNER LUG NUTS CONE SEAT 21,6mm OD w/SHANK | |
|---|---------|
| THREAD SIZE | PART # |
| M12x1,5 | DSTC20A |
| M12x1,25 | DSTC20B |
| M12x1,75 | enquire |
| M14x1,5 | DSTC20D |
| M14x2 | enquire |
| 3/8 UNF | enquire |
| 7/16 UNF | enquire |
| 1/2 UNF | DSTC20E |
| 9/16 UNF | enquire |

TUNER NUTS

23 mm OUTSIDE DIAMETER



| TUNER LUG NUTS CONE SEAT 23mm OD | |
|-------------------------------------|---------|
| THREAD SIZE | PART # |
| M12x1,5 | DSTA |
| M12x1,25 | DSTB |
| M12x1,75 | DSTG |
| M14x1,5 | DSTD |
| M14x2 | DSTDx2 |
| 3/8 UNF | enquire |
| 7/16 UNF | enquire |
| 1/2 UNF | DSTE |
| 9/16 UNF | DSTH |

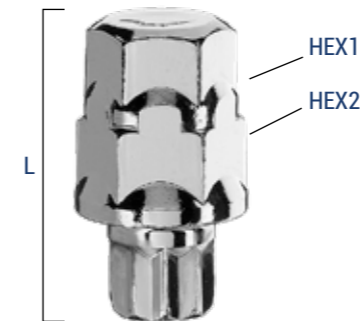


| TUNER LUG NUTS CONE SEAT 23mm OD | |
|-------------------------------------|---------|
| THREAD SIZE | PART # |
| M12x1,5 | DSTA45 |
| M12x1,25 | enquire |
| M12x1,75 | enquire |
| M14x1,5 | DSTD45 |
| M14x2 | enquire |
| 3/8 UNF | enquire |
| 7/16 UNF | enquire |
| 1/2 UNF | DSTE45 |
| 9/16 UNF | DSTH45 |

LUG NUTS

TUNER LUG NUTS

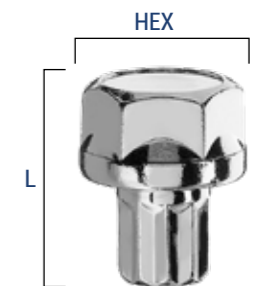
ADAPTORS



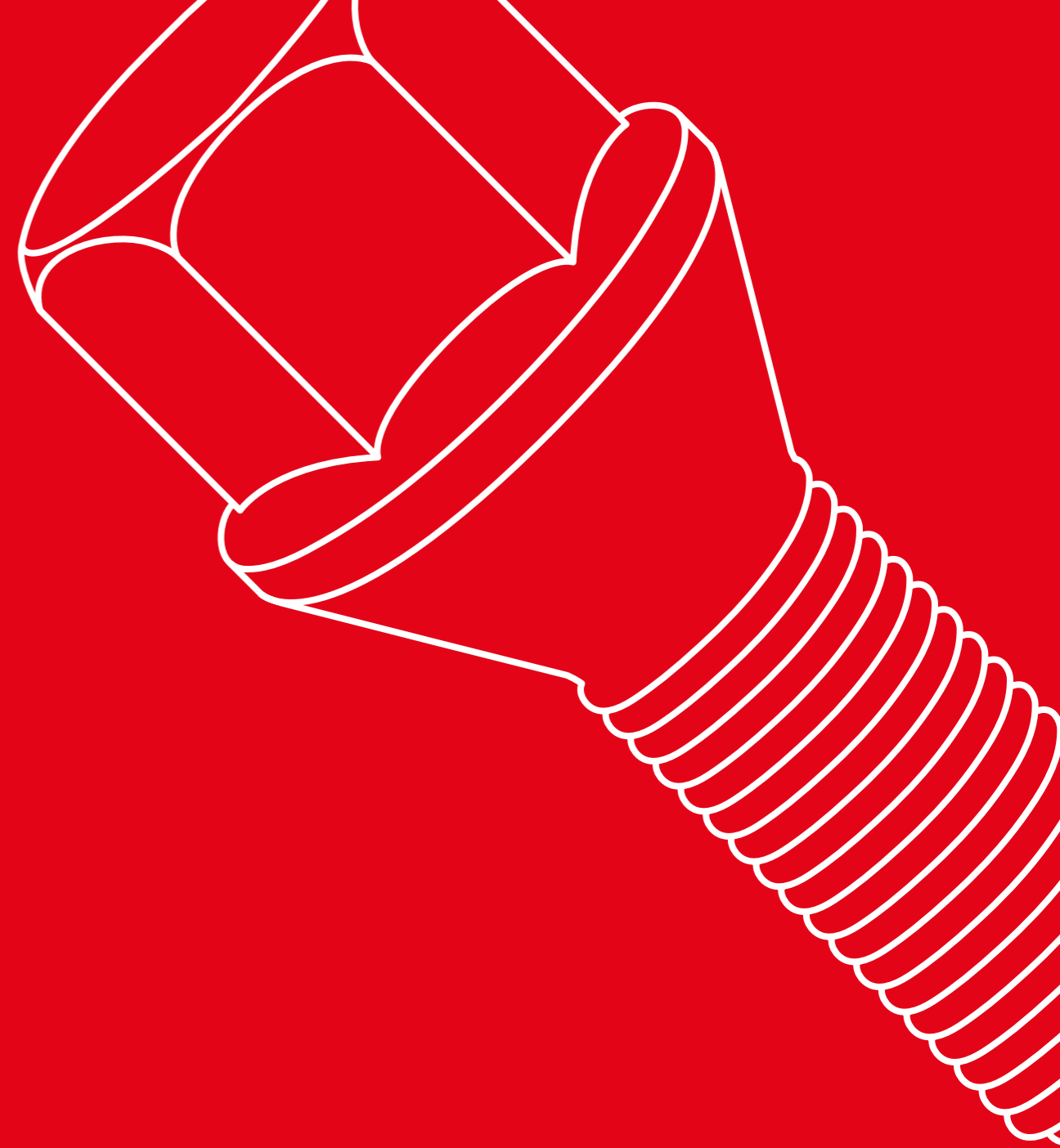
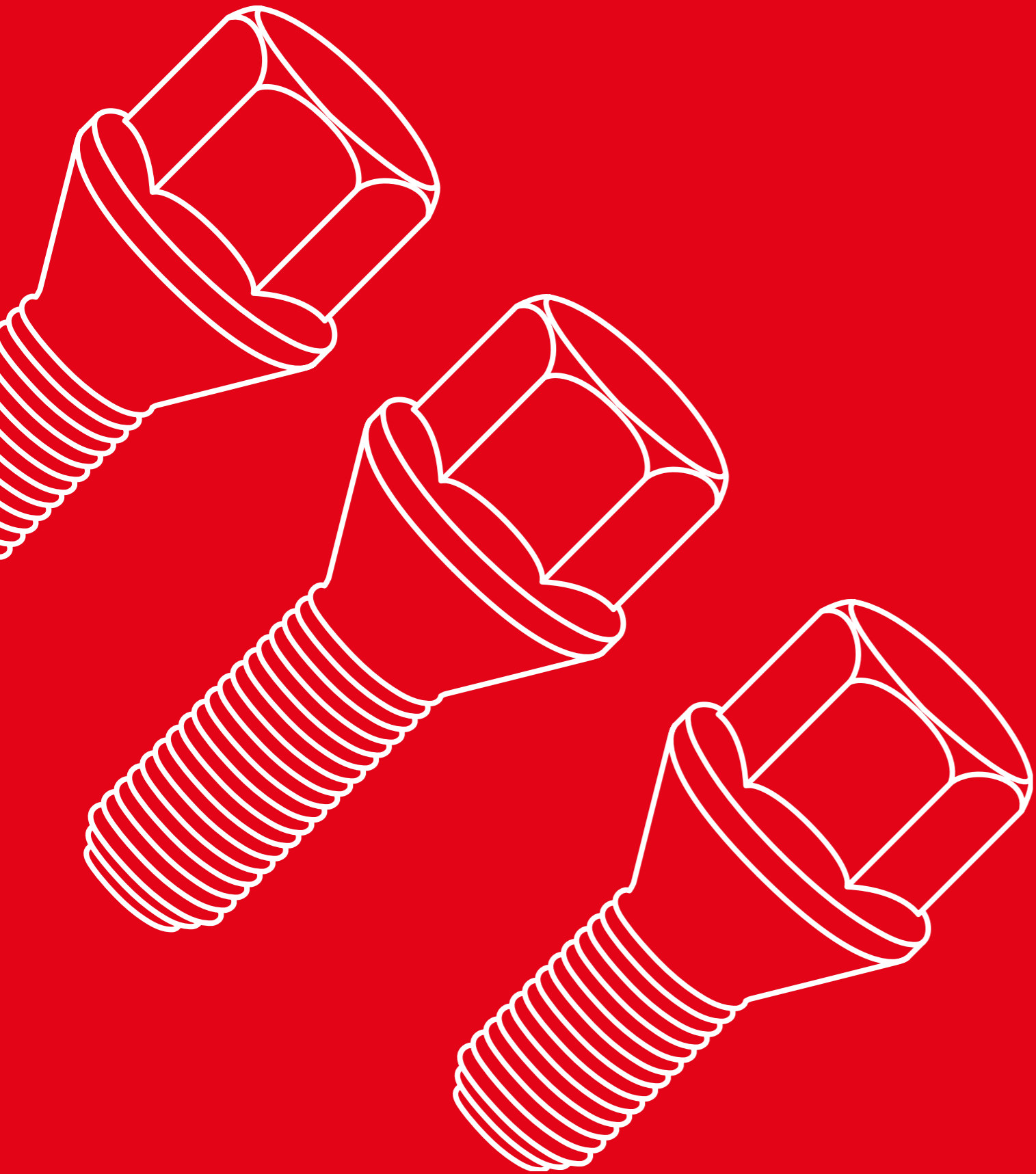
| HEX1 | HEX2 | L | PART # |
|------|------|----|----------|
| 17 | 19 | 39 | BRST1719 |



| HEX | L | PART # |
|-----|-----|------------|
| 17 | 70 | CSTL17 |
| 17 | 116 | CSTL17/116 |
| 19 | 70 | CSTL19 |
| 21 | 70 | CSTL21 |



| HEX | L | PART # |
|-----|----|--------|
| 19 | 30 | CST19 |
| 21 | 30 | CST21 |



LUG BOLTS

Cone and flat seat

24-27

Ball seat

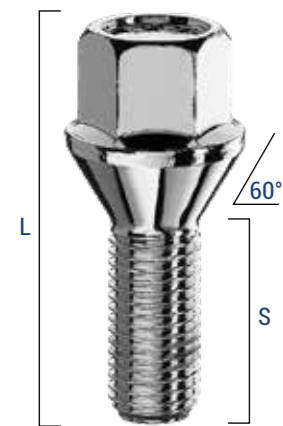
28-30

Tuner & adaptors

31-32

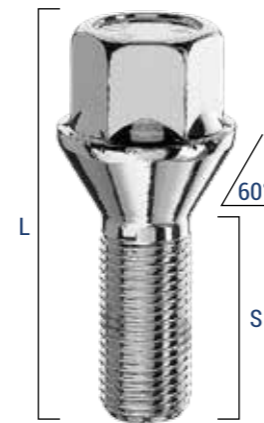
LUG BOLTS

CONE SEAT 60°
17 mm HEX - M12X1,5



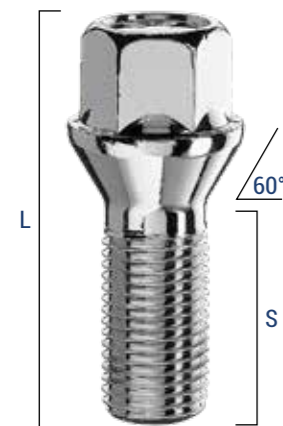
| LUG BOLTS M12x1,5 CONE SEAT 17mm HEX | | |
|---|------|----------|
| S | L | PART # |
| 21 | 46.5 | C17A21 |
| 22 | 47.5 | LC17A22F |
| 24 | 49 | B27 |
| 26 | 51.5 | B12 |
| 28 | 53.5 | C17A28 |
| 30 | 55.5 | B30 |
| 32 | 57.5 | C17A32 |
| 35 | 60.5 | C17A35 |
| 37 | 62.5 | C17A37 |
| 39 | 64 | B34 |
| 42 | 67.5 | C17A42 |
| 43 | 68.5 | C17A43 |
| 45 | 70.5 | C17A45 |
| 47 | 72 | C17A47 |
| 50 | 75 | C17A50 |
| 55 | 80 | C17A55 |
| 60 | 85 | C17A60 |

CONE SEAT 60°
17 mm HEX - M12X1,25



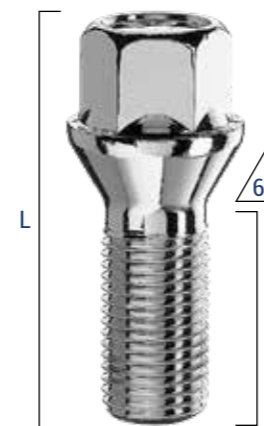
| LUG BOLTS M12x1,25 CONE SEAT 17mm HEX | | |
|--|------|-----------|
| S | L | PART # |
| 24 | 48,5 | C17B24 |
| 26 | 50 | C17B26 |
| 28 | 52 | C17B28 |
| 30 | 54 | C17B30 |
| 32 | 56 | C17B34/32 |
| 34 | 58 | C17B34 |
| 36 | 60 | C17B36 |
| 39 | 64 | C17B39 |
| 42 | 67 | C17B42 |
| 45 | 70 | C17B45 |
| 50 | 75 | C17B50 |
| 55 | 80 | C17B60/55 |
| 60 | 85 | C17B60 |

CONE SEAT 60°
17 mm HEX - M14X1,5



| LUG BOLTS M14x1,5 CONE SEAT 17mm HEX | | |
|---|------|--------|
| S | L | PART # |
| 20 | 43.5 | B46/20 |
| 25 | 48.5 | B46 |
| 27 | 51 | C17D27 |
| 28 | 52 | B13 |
| 30 | 53.5 | C17D30 |
| 33 | 56 | B42 |
| 35 | 58 | C17D35 |
| 38 | 62 | C17D38 |
| 40 | 63,5 | C17D40 |
| 43 | 67 | C17D43 |
| 45 | 69 | C17D45 |
| 47 | 71 | C17D47 |
| 50 | 74 | C17D50 |
| 55 | 79 | C17D55 |
| 60 | 84 | C17D60 |

CONE SEAT 60°
17 mm HEX - M14X1,25



| LUG BOLTS M14x1,25 CONE SEAT 17mm HEX | | |
|--|------|--------|
| S | L | PART # |
| 27,6 | 51 | C17F27 |
| 30 | 53,5 | C17F30 |
| 33 | 56,5 | C17F33 |
| 35 | 58,5 | C17F35 |
| 38 | 61,5 | C17F38 |
| 40 | 63,5 | C17F40 |
| 43 | 66,5 | C17F43 |
| 45 | 68,5 | C17F45 |
| 50 | 73,5 | C17F50 |
| 55 | 78,5 | C17F55 |

LUG BOLTS

CONE SEAT 60°
17 mm HEX - SHORT HEAD



| LUG BOLTS M12x1,5 CONE SEAT 17mm HEX | | |
|---|------|------------|
| S | L | PART # |
| 20 | 37,5 | C17A21TB |
| 19 | 37 | C17A21TBEI |
| 21,7 | 39,5 | C17A24TBEI |
| 24,2 | 42,5 | C17A26TBEI |



| LUG BOLTS M12x1,25 CONE SEAT 17mm HEX | | |
|--|------|------------|
| S | L | PART # |
| 19 | 36,5 | C17B19TBEI |
| 22 | 39,5 | C17B22TBEI |
| 24 | 41,5 | C17B24TBEI |



| LUG BOLTS M12x1,75 CONE SEAT 17mm HEX | | |
|--|------|----------|
| S | L | PART # |
| 18 | 37,5 | C17G21TB |
| 22 | 42,5 | C17G26TB |



| LUG BOLTS M14x1,5 CONE SEAT 17mm HEX | | |
|---|------|------------|
| S | L | PART # |
| 17 | 35,5 | C17D19TB |
| 20 | 37,5 | C17D21TB |
| 24 | 40 | C17D24TBEI |
| 24 | 42 | C17D26TB |

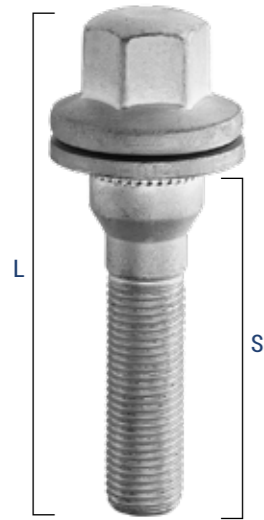


| LUG BOLTS M14x1,25 CONE SEAT 17mm HEX | | |
|--|------|------------|
| S | L | PART # |
| 24 | 39,5 | C17F24TBEI |

LUG BOLTS

FLAT SEAT

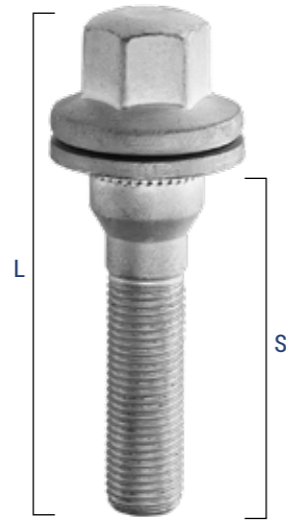
17 mm HEX - M12X1,25



| LUG BOLTS M12x1,25 FLAT SEAT 17mm HEX | | |
|--|----|----------|
| S | L | PART # |
| 35 | 57 | VPE03 |
| 40 | 62 | VPE03-40 |
| 45 | 67 | VPE03-45 |
| 50 | 72 | VPE03-50 |
| 55 | 77 | VPE03-55 |

FLAT SEAT

17 mm HEX - M12X1,5



| LUG BOLTS M12x1,5 FLAT SEAT 17mm HEX | | |
|---|------|----------|
| S | L | PART # |
| 32,5 | 53,5 | VPE05 |
| 37 | 59 | VPE04-37 |
| 43 | 65 | VPE04-43 |
| 48 | 70 | VPE04-48 |
| 53 | 75 | VPE04-53 |

CONE SEAT 60°

17 mm HEX - M14X1,25

WITH MOBILE WASHER

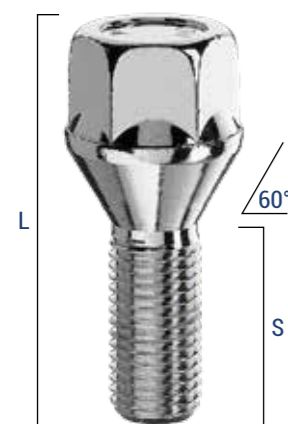
NEW



| LUG BOLTS M14x1,25 CONE SEAT 17mm HEX | | |
|--|----|-----------|
| S | L | PART # |
| 28,7 | 54 | C17F28-MW |
| 32,4 | 58 | C17F33-MW |
| 34,4 | 60 | C17F35-MW |
| 37,4 | 63 | C17F38-MW |
| 39,4 | 65 | C17F40-MW |
| 42,4 | 68 | C17F43-MW |
| 44,4 | 70 | C17F45-MW |
| 47,4 | 73 | C17F48-MW |
| 50,4 | 76 | C17F51-MW |
| 53,4 | 79 | C17F54-MW |

CONE SEAT 60°

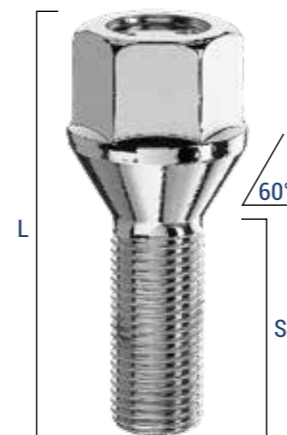
19 mm (3/4") HEX - M12X1,5



| LUG BOLTS M12x1,5 CONE SEAT 19mm HEX | | |
|---|----|--------|
| S | L | PART # |
| 24 | 49 | C19A24 |
| 26 | 51 | B15 |
| 50 | 75 | C19A50 |

CONE SEAT 60°

19 mm (3/4") HEX - M12X1,25

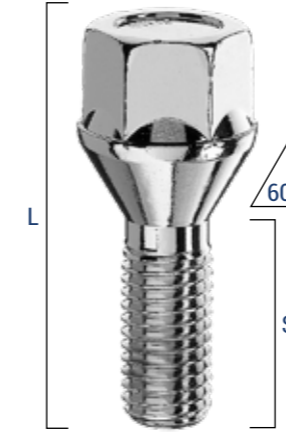


| LUG BOLTS M12x1,25 CONE SEAT 19mm HEX | | |
|--|----|-----------|
| S | L | PART # |
| 24 | 49 | C19B24 |
| 26 | 51 | C19B26 |
| 28 | 53 | B14 |
| 32 | 57 | B31 |
| 34 | 59 | C19B34 |
| 36 | 61 | C19B36 |
| 39 | 64 | C19B42/39 |
| 42 | 67 | C19B42 |
| 46 | 71 | C19B46 |
| 50 | 74 | C19B50 |

LUG BOLTS

CONE SEAT 60°

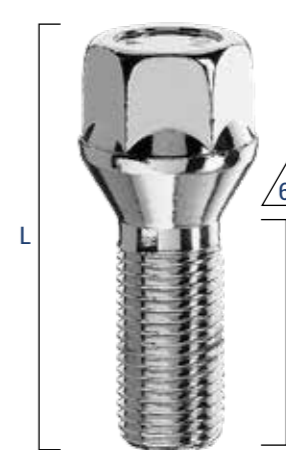
19 mm (3/4") HEX - M12X1,75



| LUG BOLTS M12x1,75 CONE SEAT 19mm HEX | | |
|--|------|--------|
| S | L | PART # |
| 27 | 53 | VOLVO |
| 35 | 59,5 | C19G35 |

CONE SEAT 60°

19 mm (3/4") HEX - M14X1,5

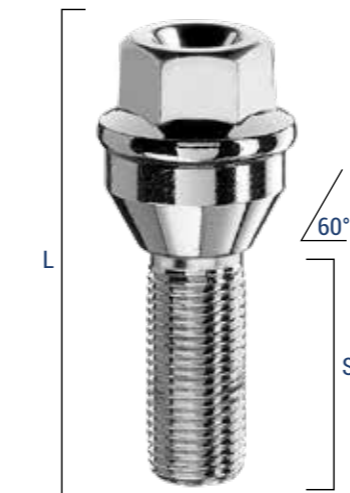


| LUG BOLTS M14x1,5 CONE SEAT 19mm HEX | | |
|---|------|-----------|
| S | L | PART # |
| 28 | 51,5 | C19D28 |
| 30 | 53,5 | C19D30 |
| 33 | 56 | C19D36/33 |
| 36 | 59 | C19D36 |
| 50 | 73 | C19D50 |
| 69 | 92 | C19D69 |

CONE SEAT 60°

19 mm (3/4") HEX - M14X1,5

WITH MOBILE WASHER



| LUG BOLTS M14x1,5 CONE SEAT 19mm HEX | | |
|---|------|------------|
| S | L | PART # |
| 28 | 57,5 | PC19D28-MW |
| 30 | 59,5 | PC19D30-MW |
| 37 | 66,5 | PC19D37-MW |
| 42 | 71,5 | PC19D42-MW |
| 45 | 74,5 | PC19D45-MW |
| 48 | 77,5 | PC19D48-MW |
| 53 | 82,5 | PC19D53-MW |
| 58 | 87,5 | PC19D58-MW |

CONE SEAT 60°

17 MM HEX - M15X1,25

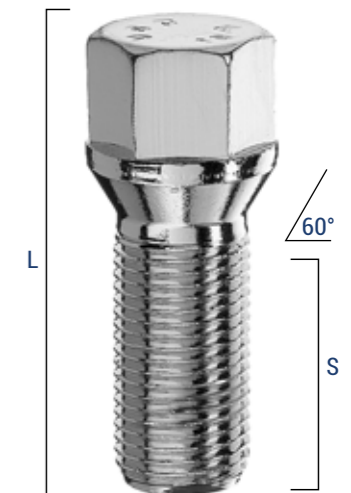
WITH MOBILE WASHER



| LUG BOLT M15X1,25 CONE SEAT 17 mm HEX | | |
|--|----|---------------|
| S | L | PART # |
| 30 | 52 | PC17Q30-MW-ZN |

CONE SEAT 60°

19 mm (3/4") HEX - M16X1,5

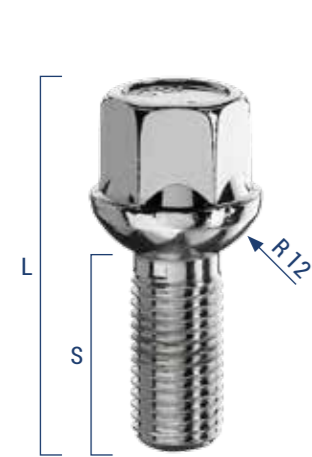


| LUG BOLTS M16x1,5 CONE SEAT 19mm HEX | | |
|---|----|------------|
| S | L | PART # |
| 33 | 54 | 2005-02-01 |

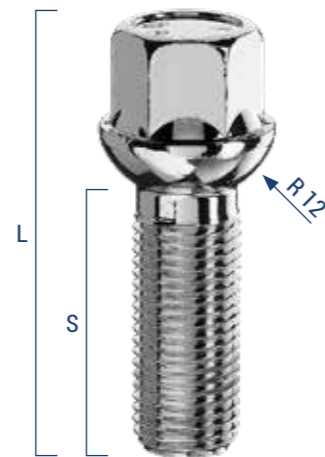
LUG BOLTS

BALL SEAT

17 mm HEX (RADIUS 12mm)



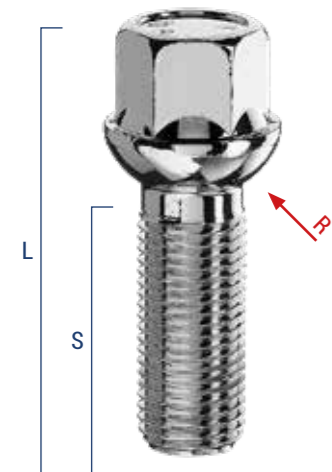
| LUG BOLTS M12x1,5 BALL SEAT 17mm HEX (RADIUS 12 mm) | | |
|---|------|----------|
| S | L | PART # |
| 21 | 42,5 | LS17A21F |
| 23 | 42,5 | S17A23 |
| 26 | 45,5 | S17A26 |
| 28 | 48,5 | S17A28 |
| 30 | 50,5 | S17A30 |
| 32 | 53,5 | S17A32 |
| 35 | 57,5 | S17A35 |
| 40 | 60,5 | S17A40 |
| 45 | 65 | S17A45 |
| 50 | 72,5 | S17A50 |
| 55 | 77,5 | S17A55 |
| 60 | 81 | S17A60 |



| LUG BOLTS M14x1,5 BALL SEAT 17mm HEX (RADIUS 12 mm) | | |
|---|----|----------|
| S | L | PART # |
| 25,5 | 45 | LS17D25F |
| 27 | 47 | S17D27 |
| 30 | 51 | S17D30 |
| 32 | 53 | S17D32 |
| 35 | 56 | S17D35 |
| 38 | 59 | S17D38 |
| 40 | 61 | S17D40 |
| 43 | 64 | S17D43 |
| 45 | 66 | S17D45 |
| 47 | 68 | S17D47 |
| 50 | 71 | S17D50 |
| 55 | 76 | S17D55 |
| 60 | 81 | S17D60 |
| 64 | 85 | S17D64 |

BALL SEAT

17 mm HEX - M14X1,25

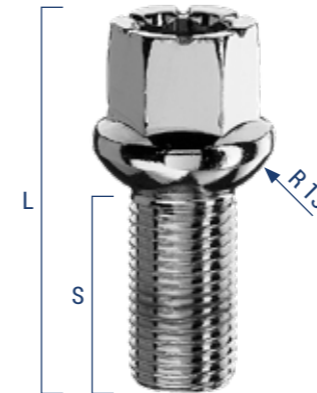


| LUG BOLTS M14x1,25 BALL SEAT 17mm HEX | | | | |
|---------------------------------------|----|-------|--------------------|---------------|
| S | L | R | COATING | PART # |
| 37 | 57 | 12 mm | DELTAPROTEKT KL100 | S17F37-KL100 |
| 39 | 59 | 12 mm | WHITE ZINC PLATED | S17F39 |
| 29,5 | 49 | 13 mm | DELTAPROTEKT KL100 | S17F29-KL100 |
| 29,5 | 49 | 13 mm | BLACK ZINC PLATED | S17F29R13ZNNI |
| 29 | 48 | 14 mm | WHITE ZINC PLATED | S17F29R14 |

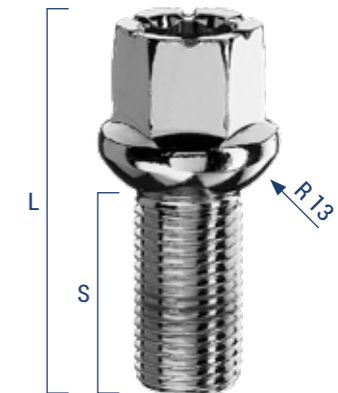
LUG BOLTS

BALL SEAT

17 mm HEX (RADIUS 13mm)



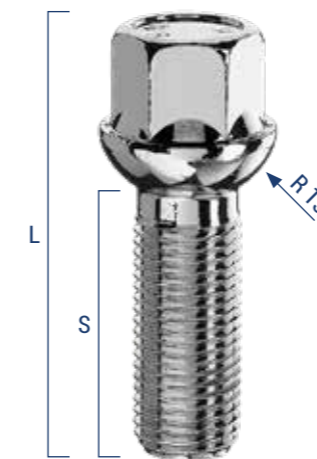
| LUG BOLTS M12x1,5 BALL SEAT 17mm HEX HOLLOW HEAD | | |
|--|------|------------|
| S | L | PART # |
| 24,5 | 45,7 | LS17A25F-Z |



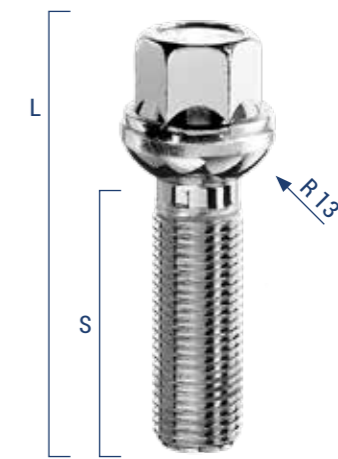
| LUG BOLTS M14x1,5 BALL SEAT 17mm HEX HOLLOW HEAD | | |
|--|----|----------|
| S | L | PART # |
| 27 | 48 | LS17D27F |

BALL SEAT

17 mm HEX (RADIUS 13mm)



| LUG BOLTS M14x1,5 BALL SEAT 17mm HEX (RADIUS 13 mm) | | |
|---|----|-----------|
| S | L | PART # |
| 28 | 74 | S17D28R13 |
| 30 | 49 | S17D30R13 |
| 32 | 51 | S17D32R13 |
| 35 | 54 | S17D35R13 |
| 37 | 56 | S17D37R13 |
| 40 | 59 | S17D40R13 |
| 43 | 62 | S17D43R13 |
| 45 | 64 | S17D45R13 |
| 47 | 66 | S17D47R13 |
| 50 | 69 | S17D50R13 |

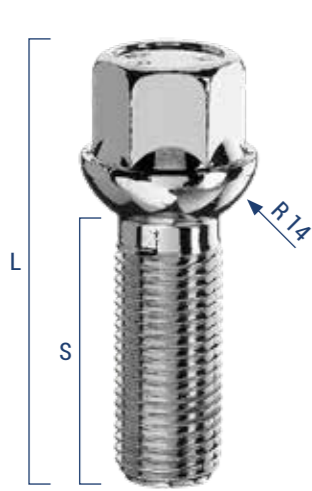


| LUG BOLTS M14X1,5 17MM HEX w/SWIVEL WASHER | | |
|---|------|-----------|
| S | L | PART # |
| 32 | 55,5 | S17D32-MW |
| 39 | 63,5 | S17D39-MW |
| 42 | 65,5 | S17D42-MW |
| 48 | 71,5 | S17D48-MW |

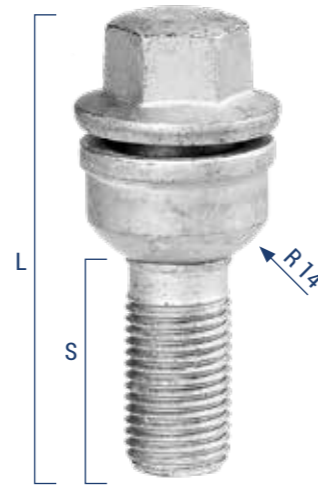
LUG BOLTS

BALL SEAT

17 mm HEX (RADIUS 14mm)



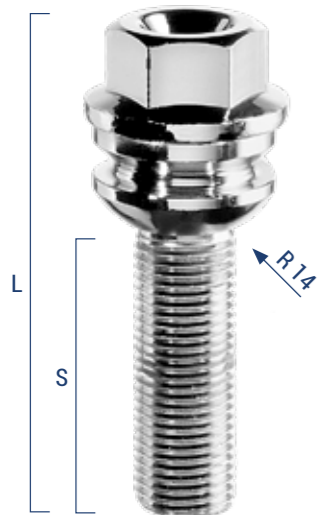
| LUG BOLTS M14x1,5 BALL SEAT 17mm HEX | | |
|---|----|-----------|
| S | L | PART # |
| 35 | 54 | S17D35R14 |
| 40 | 59 | S17D40R14 |
| 43 | 62 | S17D43R14 |
| 45 | 64 | S17D45R14 |
| 47 | 66 | S17D47R14 |
| 50 | 69 | S17D50R14 |
| 55 | 74 | S17D55R14 |
| 60 | 79 | S17D60R14 |
| 65 | 84 | S17D65R14 |



| LUG BOLTS M14x1,5 BALL SEAT 17mm HEX W/SWIVEL WASHER | | |
|--|------|------------|
| S | L | PART # |
| 28 | 57,5 | WS17D28-MW |
| 30 | 59,5 | WS17D30-MW |
| 37 | 66,5 | WS17D37-MW |
| 42 | 71,5 | WS17D42-MW |
| 45 | 74,5 | WS17D45-MW |
| 48 | 77,5 | WS17D48-MW |
| 50 | 79,5 | WS17D50-MW |
| 53 | 82,5 | WS17D53-MW |

BALL SEAT

19 mm HEX (RADIUS 14mm)



| LUG BOLTS M14x1,5 BALL SEAT 19mm HEX W/SWIVEL WASHER | | |
|--|------|------------|
| S | L | PART # |
| 28 | 57,5 | PS19D28-MW |
| 30 | 59,5 | PS19D30-MW |
| 37 | 66,5 | PS19D37-MW |
| 42 | 71,5 | PS19D42-MW |
| 45 | 74,5 | PS19D45-MW |
| 48 | 77,5 | PS19D48-MW |
| 53 | 82,5 | PS19D53-MW |
| 58 | 87,5 | PS19D58-MW |

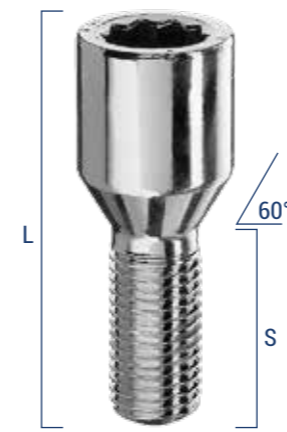


| LUG BOLTS M14x1,5 BALL SEAT 19mm HEX W/SWIVEL WASHER | | |
|--|------|---------------|
| S | L | PART # |
| 28 | 57,5 | PS19D28-MW-ZN |
| 30 | 59,5 | PS19D30-MW-ZN |
| 37 | 66,5 | PS19D37-MW-ZN |
| 42 | 71,5 | PS19D42-MW-ZN |
| 45 | 74,5 | PS19D45-MW-ZN |
| 48 | 77,5 | PS19D48-MW-ZN |
| 53 | 82,5 | PS19D53-MW-ZN |
| 58 | 87,5 | PS19D58-MW-ZN |

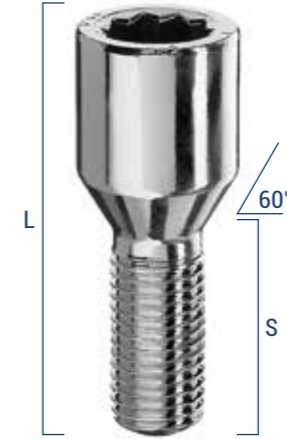
LUG BOLTS

TUNER BOLTS

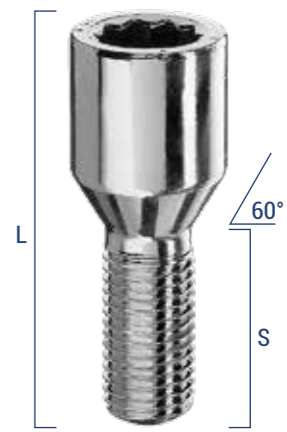
20 mm OUTSIDE DIAMETER



| TUNER LUG BOLTS M12x1,5 CONE SEAT 20mm OD | | |
|---|----|----------|
| S | L | PART # |
| 22 | 48 | VST20A22 |
| 24 | 50 | VST20A24 |
| 26 | 52 | VST20A26 |
| 28 | 54 | VST20A28 |
| 32 | 58 | VST20A32 |
| 45 | 71 | VST20A45 |



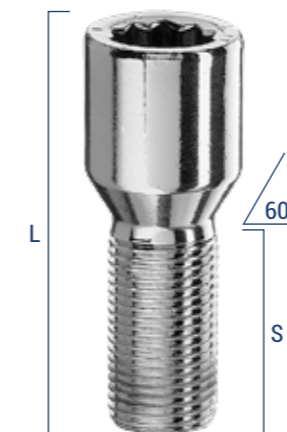
| TUNER LUG BOLTS M12x1,25 CONE SEAT 20mm OD | | |
|--|----|-------------|
| S | L | PART # |
| 24 | 50 | VST20B24 |
| 26 | 52 | VST20B28/26 |
| 28 | 54 | VST20B28 |
| 30 | 56 | VST20B50/30 |
| 36 | 62 | VST20B50/36 |
| 42 | 68 | VST20B50/42 |
| 45 | 71 | VST20B50/45 |
| 50 | 76 | VST20B50 |



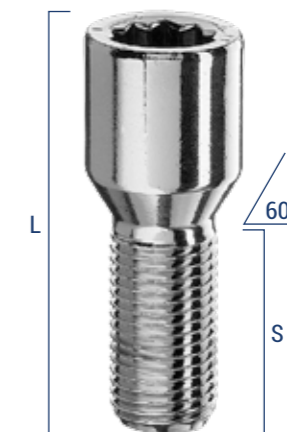
| TUNER LUG BOLTS M12x1,75 CONE SEAT 20mm OD | | |
|--|----|----------|
| S | L | PART # |
| 28 | 54 | VST20G28 |
| 30 | 56 | VST20G30 |

TUNER BOLTS

20 mm OUTSIDE DIAMETER



| TUNER LUG BOLTS M14x1,25 CONE SEAT 20mm OD | | |
|--|----|-------------|
| S | L | PART # |
| 27 | 52 | VST20F27 |
| 33 | 57 | VST20F50/33 |
| 38 | 62 | VST20F50/38 |
| 45 | 69 | VST20F50/45 |
| 50 | 74 | VST20F50 |

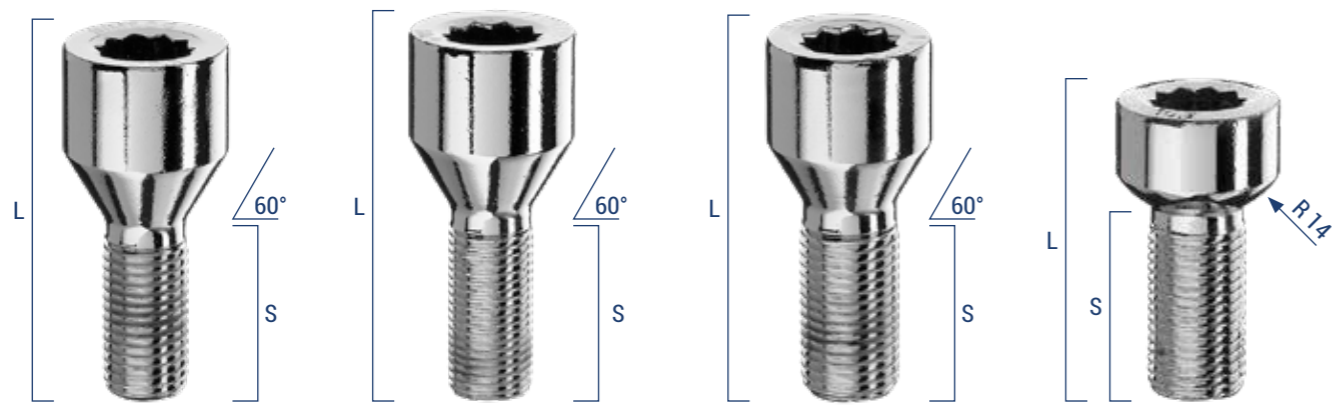


| TUNER LUG BOLTS M14x1,5 CONE SEAT 20mm OD | | |
|---|----|----------|
| S | L | PART # |
| 25 | 50 | VST20D25 |
| 28 | 53 | VST20D28 |
| 30 | 55 | VST20D30 |
| 40 | 65 | VST20D40 |
| 45 | 70 | VST20D45 |
| 55 | 80 | VST20D55 |

LUG BOLTS

TUNER BOLTS

23 mm OUTSIDE DIAMETER



| TUNER LUG BOLTS M12x1,5 CONE SEAT 23mm OD | | |
|---|------|--------|
| S | L | PART # |
| 24 | 49,5 | VSTA24 |
| 26 | 51,5 | VSTA26 |
| 32 | 57,5 | VSTA32 |
| 40 | 65,5 | VSTA40 |
| 52 | 77,5 | VSTA52 |

| TUNER LUG BOLTS M12x1,25 CONE SEAT 23mm OD | | |
|--|------|--------|
| S | L | PART # |
| 22 | 47,5 | VSTB22 |
| 24 | 49,5 | VSTB24 |
| 26 | 51,5 | VSTB26 |
| 28 | 53,5 | VSTB28 |
| 50 | 75,5 | VSTB50 |

| TUNER LUG BOLTS M14x1,5 CONE SEAT 23mm OD | | |
|---|------|--------|
| S | L | PART # |
| 28 | 53,5 | VSTD28 |
| 33 | 58,5 | VSTD33 |
| 45 | 70,5 | VSTD45 |
| 50 | 75,5 | VSTD50 |
| 55 | 80,5 | VSTD55 |

| TUNER LUG BOLT M14x1,5 BALL SEAT 23MM OD | | |
|--|----|----------|
| S | L | PART # |
| 28 | 45 | VSD28R14 |

TUNER BOLTS

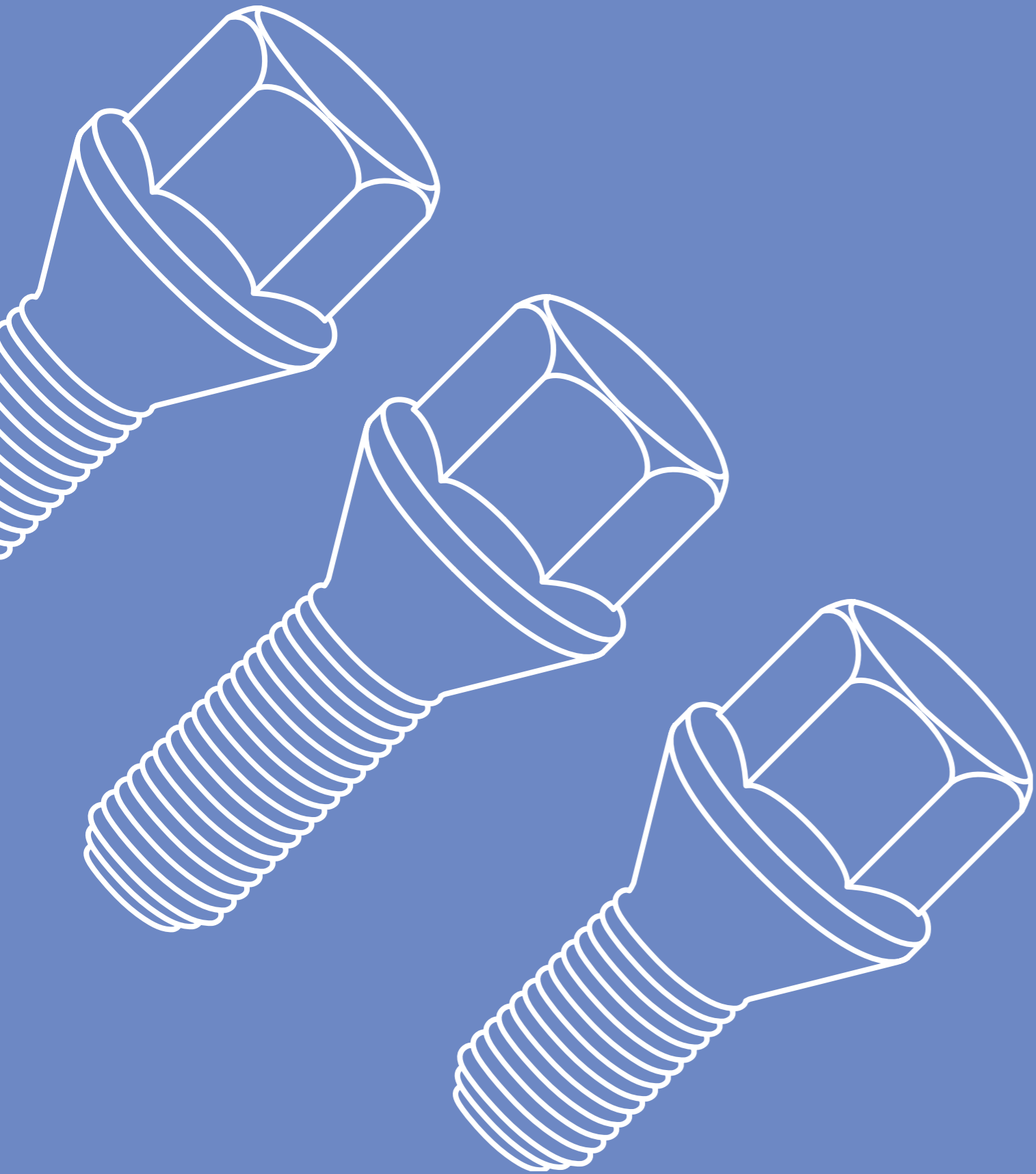
ADAPTORS



| HEX1 | HEX2 | L | PART # |
|------|------|----|----------|
| 17 | 19 | 39 | BRST1719 |

| HEX | L | PART # |
|-----|-----|------------|
| 17 | 70 | CSTL17 |
| 17 | 116 | CSTL17/116 |
| 19 | 70 | CSTL19 |
| 21 | 70 | CSTL21 |

| HEX | L | PART # |
|-----|----|--------|
| 19 | 30 | CST19 |
| 21 | 30 | CST21 |



OE APPLICATION

Bimecc offers a new wide range of bolts and nuts for original aluminium and steel wheels. Choose the right product to fasten your wheels searching by car brand, OEM part number and technical dimensions.

OE APPLICATION

| Picture | Car Model | Wheel Type | Technical Characteristics | Replacement OEM Part. Number | Bimecc Part Nr. |
|---|--|---------------------|--|------------------------------------|-----------------|
| ALFA | | | | | |
|  | 147 (937) 156 (932) 166 (936) GT (937) Giulietta (940) Mito (955) | Steel and Aluminium | Conical 60° K 17 M12x1,25x22/48,5 8.8 Deltaprotekt KL100 | 132 304 25 | IBS13230425 |
|  | 159 (939) Brera (939) Spider (939) Stelvio (949) | Steel and Aluminium | Conical 60° K 17 M14x1,5x25/48,6 10.9 Deltaprotekt KL100 | 606 974 42 606 941 02 | B46-KL100 |
| AUDI | | | | | |
|  | Audi 80 (81) Audi Coupe (85) A2 (8Z 4x100 rims only) | Steel and Aluminium | Spherical R13 K 17 M12x1,5x24,5/45,7 10.9 White Zincplated | 3A0 601 139 | LS17A25F-Z |
|  | A4 Cabrio (8H, 8K) S4 (8E) A5 Cabrio (B8, B9) S5 S5 Cabrio RS5 (B8) | Aluminium | Spherical R13 K 17 M14x1,5x27/5 (2 pcs.) 8.8 White Zincplated | 4D0 601 139 A | LS17D27F-MW2 |
|  | A8 (4H armoured cars only) Q3 (8U, F3) Q5 (8R, FY) Q7 (4M) Q8 (4M) | Steel and Aluminium | Spherical R14 K 17 M14x1,5x30/59,5 (2 pcs.) 10.9 Deltaprotekt KL100 | 8R0 601 295 | WS17D30-MW |
|  | Q7 (4L) | Aluminium | Spherical R14 K 19 M14x1,5x37/67 (2 pcs.) 10.9 White Zincplated | 7L0 601 139 A | PS19D37-MW |
| BMW | | | | | |
|  | 1 series (E81, E87, E88) X1 (E84) 3 series (E21, E30, E36, E46, E90, E91, E92, E93) 5 series (E12, E28, E34, E39, E60, E61) 6 Series (E24) 7 series (E23-E32-E38) | Steel and Aluminium | Conical 60° K 17 M12x1,5x26/48 8.8 Corrolube | 36 13 1 126 191 36 13 6 781 150 | B12PI |
|  | 5 serie (E12) | Steel and Aluminium | Conical 60° K 19 M12x1,5 8 White Zincplated + s/s cap | 36 13 1 113 132 | D30 |











OE APPLICATION

| Picture | Car Model | Wheel Type | Technical Characteristics | Replacement OEM Part. Number | Bimecc Part Nr. |
|---|---|---------------------|---|------------------------------|-----------------|
|  | 1 serie (F20, F21) 2 series (F22, F23, F45, F46) X2 (F39) 3 series (F30, F31, F34, F35) 3GT (F34, F35) X3 serie (F25) | Steel and Aluminium | Conical 60° K 17 M14x1,25x27/46,3 8.8 Corrolube | 36 13 6 781 151 | C17F27PI2 |
|  | 4 serie (F32, F33, F36) X4 (F26, G02) 5 series (F10, F11, F18, G5) X5 serie (E53, E70, F15) 6 serie (F06, F12, F13) X6 (E71, E72, F16) | Steel and Aluminium | Conical 60° K 17 M14x1,25x28/54 10.9 Corrolube | 36 13 6 795 153 | C17F28-MW |
|  | X5 (G05) X6 (MY 2019) X7 (MY 2019) 7 serie (F03) i3 (MY 2019) i8 (MY 2019) | Steel and Aluminium | Conical 60° K 17 M14x1,25x28/54 10.9 Corrolube | | |
| CHEVROLET | | | | | |
|  | Spark Matiz | Steel | Conical 60° K 17 M12x1,25 8 White Zincplated | 94515470 94515410 | D96 |
|  | Aveo (KLAS, KL1T) Cruze (KL1J) HHR (LT) Orlando (KL1Y) Trax (KL1B) | Steel | Conical 60° K 19 M12x1,5 10 White Zincplated | 94515412 | D14CL10 |
|  | Aveo (KLAS, KL1T) Cruze (KL1J) HHR (LT) Orlando (KL1Y) Trax (KL1B) | Aluminium | Conical 60° K 19 M12x1,5 10 White Zincplated + s/s cap | 09594682 | DGM01 |
| CITROEN | | | | | |
|  | Berlingo 2 e 3 C2 (J) C-Elysée (D) C3 (F,H,S) C4 Cactus (O) C5 (D, R9) | Aluminium | Flat K 17 M12x1,25x17/57 (2 pcs.) 10.9 Deltaprotekt KL100 | 5405.67 | VPE03 |
|  | AX (ZA) Saxo (S0, S1) Xantia (X1, X2) | Aluminium | Flat K 19 M12x1,25x17/63 (2 pcs.) 10.9 White Zincplated | 5405.35 | VPE01-ZB |
|  | Berlingo (7, TU) Berlingo 3 Tepee (TU) C4 (L, N) C4 Cactus (O) C4 coupè (L) C4 Picasso (U) | Steel | Conical 60° K 17 M12x1,25x26/49 (2 pcs.) 10.9 Deltaprotekt KL100 | 5405.72 16 087 344 80 | C17B24-MW |
|  | AX (ZA) Berlingo (NFU) Saxo (S0, S1) Xantia (X1, X2) Xsara (N6) Xsara Picasso © | Steel | Conical 60° K 19 M12x1,25x26/52 10.9 White Zincplated | 5405.55 | C19B26 |

OE APPLICATION

| Picture | Car Model | | Wheel Type | Technical Characteristics | Replacement OEM Part. Number | Bimecc Part Nr. |
|---|--|--|---|---|------------------------------|-----------------|
|  | Berlingo (7, MF) Berlingo 3 Tepee (TU) C2 (JM) C3 (FC, S, HB) C3 Picasso (SH) C4 (B7, LA, LC) | C6 (TD) DS3 (S) DS4 (N) Jumpy 3 Nemo (A) | Steel | Conical 60° K 17 M12x1,25x26/47 10.9 Deltaprotekt KL100 | 5405.66 | B0400-001 |
|  | C1 (PM, PN) | | Steel | Conical 60° K 17 M12x1,5x21/42 10.9 White Zincplated | 5405.77 | C17A21 |
|  | C1 (PM, PN, 580W) | | Aluminium | Flat K 17 M12x1,5x32,5/53,5 (2 pcs.) 10.9 Deltaprotekt KL100 | 5405.85 | VPE05 |
|  | Jumper (230 e 244) Axial load 1,1 - 1,4 Ton. | | Steel (5x118 only) | Conical 60° K 24 M14x1,5x28,2/53 10.9 Deltaprotekt KL100 | 5405.75 | B0046-003 |
|  | Jumper (230 e 244) Axial load from 1,8 Ton. | | Steel (5x130 only) | Conical 60° K 24 M16x1,5x31/57 10.9 Deltaprotekt KL100 | 5405.76 | B0046-004 |
|  | C8 (E) Jumpy (B until '06) | | Steel and Aluminium | Conical 60° K 17 M14x1,5x25/48,6 10.9 Deltaprotekt KL100 | 5405.68 5405.69 | B46-KL100 |
|  | C8 (E) Jumpy (B until '06) | | Steel and Aluminium (5x118 only) | Conical 60° K 21 M14x1,5x27/62 10.9 Deltaprotekt KL100 | 5405.78 5405.88 | B0046-006 |
|  | Jumper (250) Axial load from 1,6 Ton. | | Steel and Aluminium (5x130 only) | Conical 60° K 21 M16x1,5x29/64 10.9 Deltaprotekt KL100 | 5405.79 | B0046-007 |
|  | C-Crosser (V) C Zero (1) C4 Aircross (B) | | Steel and Aluminium | Head Ø 18 K 14,3 M12x1,5x42/47 10.9 White Zincplated | 3714.28 | CRP143A42 |
|  | C-Crosser (V) C Zero (1) C4 Aircross (B) | | Steel | Conical 60° K 21 M12x1,5 8 Yellow Zincplated | 5405.81 | DMTSB |
|  | C-Crosser (V) C4 Aircross (B) | | Aluminium | Flat K 21 M12x1,5 (2 pcs.) 8 Chromeplated | 5405.82 | DT0Y01 |

OE APPLICATION

| Picture | Car Model | | | Wheel Type | Technical Characteristics | Replacement OEM Part. Number | Bimecc Part Nr. |
|---|---|---|---|--------------------------|---|---|-----------------|
| DACIA | | | | | | | |
|  | Dokker (SD) Duster (SD) Lodgy (SD) Logan (SD, SR) Sander (SD, SR) | | | Steel | Conical 60° K 17 M12x1,5x26/51 10.9 White Zincplated | 82 00 473 353 82 00 610 460 40 22 22 121R | B12 |
| DAIHATSU | | | | | | | |
|  | Charade (XP9F) Cuore (L2, L27) Materia (M4) Sirion (M3) Terios (J2) Trevis (L65) | | | Steel | Conical 60° K 21 M12x1,5 8 White Zincplated | 90942-01007 | DMTSB |
| FIAT | | | | | | | |
|  | 500 (312) 500C (312) 500L (199) 500X (334) Bravo 2 (198) Doblo (119, 152) | Doblò Cargo (223,263) Idea (135, 350) Linea (323) Multipla (186) Panda 2 (169) Panda 3 (312) | Punto 1 (176) Punto 2 (188) Stilo (192) Qubo (225) Tipo (356) | Steel and Aluminium | Conical 60° K 17 M12x1,25x22/48,5 8.8 Deltaprotekt KL100 | 13.230.425 | IBS13230425 |
|  | Barchetta (183) Cinquecento (170) Panda 1 (141) Punto 1 (176) Punto 2 (188) Seicento (187) | Uno (146) | | Steel | Conical 60° K 19 M12x1,25x27/42 8.8 Deltaprotekt KL100 | 13.228.924 | IBS13228924 |
|  | Croma (194) Grande Punto (199) Punto Evo (199) Punto 2013 (199) Sedici (FY) | | | Steel and Aluminium | Conical 60° K 17 M12x1,5x22/47,5 10.9 White Zincplated | 51.732.885 | LC17A22F |
|  | Scudo (220) Ulysse (179) | | | Steel | Conical 60° K 17 M14x1,5x25/48,6 10.9 Deltaprotekt KL100 | 1.493.974.080 | B46-KL100 |
|  | Scudo (270 from 11/2007) | | | Steel | Conical 60° K 17 M12x1,25x26/49 (2 pcs.) 10.9 Deltaprotekt KL100 | 9.634.648.980 | C17B24-MW |
|  | Scudo (270 from 11/2007) | | | Aluminium | Flat K 17 M12x1,25x17/57 (2 pcs.) 10.9 Deltaprotekt KL100 | 9.644.576.680 | VPE03 |
|  | Ducato (230, 244) Axial load 1,1 - 1,4 Ton. | | | Steel (5x118 only) | Conical 60° K 24 M14x1,5x28,2/53 10.9 Deltaprotekt KL100 | 1.345.713.080 | B0046-003 |
|  | Ducato (230, 244) Axial load from 1,8 Ton. | | | Steel (5x130 only) | Conical 60° K 24 M16x1,5x31,6/57 10.9 Deltaprotekt KL100 | 1.345.714.080 | B0046-004 |

OE APPLICATION

| Picture | Car Model | | | Wheel Type | Technical Characteristics | Replacement OEM Part. Number | Bimecc Part Nr. |
|-------------|---|--|---|----------------------------------|--|-------------------------------------|-----------------|
| | Ducato (250) Axial load 1.1 - 1,7 Ton. | | | Steel and Aluminium (5x118 only) | Conical 60° K 21 M14x1,5x27/62 10.9 Deltaprotekt KL100 | 1.363.349.080 1.351.202.080 | B0046-006 |
| | Ducato (250) Axial load from 1,6 Ton. | | | Steel and Aluminium (5x130 only) | Conical 60° K 21 M16x1,5x29/64 10.9 Deltaprotekt KL100 | 1.351.203.080 | B0046-007 |
| | Fullback (KT0T) | | | Aluminium | Flat K 21 M12x1,5 (2 pcs.) 8 Chromeplated | MR 455707 | DT0Y01 |
| FORD | | | | | | | |
| | KA 2 (RU8) | | | Steel and Aluminium | Conical 60° K 17 M12x1,5x22/48,5 8.8 Deltaprotekt KL100 | 1.559.373 | IBS13230425 |
| | B-Max (JK8) Ecosport (JK8) Escort (AT0,GT0) Fiesta (GFJ, JAS, JH1, JA8) Focus (DAW, DA3, DYB) Grand C-Max (DM2, DXA) | Ka (RBT) Ka+ (16) Kuga (DM2) Mondeo (GBPB4Y,BA7) Puma (ECT) Scorpio (GFR, GGR) | | Steel | Conical 60° K 19 M12x1,5 10 Deltaprotekt KL100 | 6.040.307 5.114.405 1.007.487 | D60FB |
| | C-Max (DM2, DXA) Fiesta (GJF, JAS, JH1, JA8) Focus (DAW, DA3, DYB) Kuga (DM2) Mondeo (L1F, L1J) Puma (ECT) | | | Steel and Aluminium | Head Ø 18 K 13,0 M12x1,5x42 10.9 White Zincplated | 1.473.166 | CRP130A42 |
| | B-Max (from 01/2012) Fiesta (from 05/2012) C-Max (from 01/2012) Grand C-Max (from 01/2012) Focus (from 11/2012) Ecosport (JK8) | Mondeo (from 02/2015) Ranger (2AB) Tourneo Courier (from 02/2015) Tourneo Connect (from 11/2013) Ka+ (16) Kuga (from 10/2012) | Transit Courier (from 09/2013) Transit Connect (02/2015) | Aluminium | Conical 60° K 19 M12x1,5 10 Zinc Nickel + s/s cap | 5.114.407 | DF04 |
| | B-Max (JK8) C-Max (DM2, DXA) Cougar (BCV) Fiesta (J5S, JVS, JD3, JH1, JC3JA8, JR8) Focus (DA3, DB3, DYB, DAW, DBW) Kuga (DM2) | Mondeo (BA7, B4Y, B5Y) | | Aluminium (Open) | Conical 60° K 19 M12x1,5 (Closed) 10 Zinc Nickel + s/s cap | 6.111.766 1.454.051 | DF02N |









OE APPLICATION

| Picture | Car Model | | | Wheel Type | Technical Characteristics | Replacement OEM Part. Number | Bimecc Part Nr. |
|---------|--|--------------------------------------|--|----------------------|---|------------------------------|-----------------|
| | B-Max (JK8) C-Max (DM2, DXA) Cougar (BCV) Fiesta (J5S, JVS, JD3, JH1, JC3, JA8, JR8) Focus (DA3, DB3, DYB, DAW, DBW) KA (RBT) Fusion (JU2) | Kuga (DM2) Mondeo (BA7, B4Y, B5Y) | | Aluminium (with cap) | Conical 60° K 19 M12x1,5 (Open) 10 Zinc Nickel | 6.652.292 1.454.053 | DF01N |
| | Galaxy (WGR from 1995 to 2000) | | | Steel and Aluminium | Spherical R14 K 19 M14x1,5x34/58 10.9 Zinc Nickel Black | 7.201.016 | LS19D34F |
| | Galaxy (WGR from 2000 to 2007) | | | Steel and Aluminium | Spherical R14 K 19 M14x1,5x34/62 (2 pcs.) 10.9 Deltaprotekt KL100 | 1.126.877 | LS19D34F-MW |
| | Galaxi (WA6) S-Max (WA6) | | | Steel | Conical 60° K 21 M14x1,5 10 Zinc Nickel | 1.377.748 1.889.420 | D62FB |
| | Galaxi (WA6 from 2006 to 2011) S-Max (WA6 from 2006 to 2011) | | | Aluminium | Conical 60° K 21 M14x1,5 10 White Zincplated + s/s cap | 1.428.137 1.377.747 | DF03 |
| | Transit 2000-2006 (FBEY/DEY/DFY/DGY/MEY/MFY/NEFY/SEY/SFY/SGY/ZEY/AEY/AFY/AGY) Transit 2006-2011 (FAEY/FAF6/FAG6/FNF6/FMF6/FME6) | | | Steel | Flat K 21 M14x2 (2 pcs.) 10 Cromax + Magni | 1.576.434 | DF08 |
| | Transit 2013 | | | Steel | Flat K 21 M14x1,5 (2 pcs.) 10 Zinc Nickel + Magni | 1.811.812 | DF09 |
| | Transit 2014 (single wheels only) | | | Aluminium | Conical 60° K 21 M14x1,5 10 Zinc Nickel + s/s cap | 5.196.786 | DF10 |
| | Edge (SBF) S-Max (WA6 from MY 2015) Galaxi (WA6 from MY2015) | | | Aluminium | Conical 60° K 21 M14x1,5 10 Zinc Nickel + s/s cap | 5.275.544 | DF11 |

OE APPLICATION

| Picture | Car Model | | Wheel Type | Technical Characteristics | Replacement OEM Part. Number | Bimecc Part Nr. | |
|---|---|--|-------------------------------------|---|---|---|-------------|
| HONDA | | | | | | | |
|  | All passenger car models | | Steel | Spherical R12 K 19 M12x1,5 (open) 10 White Zincplated | 90381-SL5-901 | D14R | |
|  | All passenger car models | | Aluminium | Spherical R12 K 19 M12x1,5 (closed) 8 White Zincplated + s/s cap | 90304-SC2-000 | D30R | |
| HYUNDAI | | | | | | | |
|  | Atos (MX) Accent (LC, MC, MCT) Elantra (XD) Coupè (GK, J-2, RD) Getz (TB, TBI) i 10 (IA, PA) | i 20 (PB, PBT) i 30 (FD, FDH) i 40 (VF) iX 20 (JC) iX 35 (EL, LM) Kona (OS) | Matrix (FC, FCT) Tucson (JM, TL) | Aluminium | Conical 60° K 21 M12x1,5 8 chromeplated | 52950-14140 52950-M1000 52951-31330 | DKIA01-OE |
|  | Atos (MX) Accent (LC, MC, MCT) Elantra (XD) Coupè (GK, J-2, RD) Getz (TB, TBI) i 10 (IA, PA) | i 20 (PB, PBT) i 30 (FD, FDH) iX 35 (EL, LM) Kona (OS) Matrix (FC, FCT) Tucson (JM, TL) | | Steel | Conical 60° K 21 M12x1,5 8 chromeplated | 52950-3Y000 52950-17000 52951-11210 52950-11210 52951-11220 | DKIA02-OE |
| JAGUAR | | | | | | | |
|  | XE (JA) XF (JB) F-type (QQ6) S-type (CCX) | | | Aluminium | Flat K 19 M12x1,5 8 White Zincplated + s/s cap | C2C35294010 | DJAG-OE |
|  | E-pace (DF) F-pace (DC, X761) | | | Aluminium | Conical 60° K 21 M14x1,5 10 White Zincplated + s/s cap | T4A2670 | DF03 |
| KIA | | | | | | | |
|  | Carens (FC) Carnival (MB) Ceed (CD) Niro (DE) Picanto (TA) Rio (DC, DE, UB) | Sorento (XM, UM) Soul (AM, PS) Sportage (QL, QLE) Stonic (YB) Venga (XN, XNS) | | Aluminium | Conical 60° K 21 M12x1,5 8 chromeplated | 52950-14140 52950-M1000 52950-1G000 52950-H1000 | DKIA01-OE |
|  | Carens (FC) Carnival (MB) Ceed (CD) Niro (DE) Picanto (TA) Rio (DC, DE, UB) | Sorento (XM, UM) Soul (AM, PS) Sportage (QL, QLE) Stonic (YB) Venga (XN, XNS) | | Steel | Conical 60° K 21 M12x1,5 8 chromeplated | 52950-3Y000 52950-17000 52951-11210 52950-11210 52951-11220 | DKIA02-OE |
| LANCIA | | | | | | | |
|  | Delta 3 (844) Kappa (838) Lybra (839) Musa (350) Y (840, 312) Ypsilon (843, 846) | | | Steel and Aluminium | Conical 60° K 17 M12x1,25x22/48,5 8.8 Deltaprotekt KL100 | 13.230.425 | IBS13230425 |

OE APPLICATION

| Picture | Car Model | | Wheel Type | Technical Characteristics | Replacement OEM Part. Number | Bimecc Part Nr. | |
|---|---|--|---|---------------------------|--|--|-----------|
| LAND ROVER | | | | | | | |
|  | Defender up to 2006 Discovery 1 Range Rover Classic | | | Aluminium | Flat K 27 M16x1,5 (2 pcs.) 8 White Zincplated + s/s cap | ANR2763MMM | DRR |
|  | Discovery 2 | | | Aluminium | Flat K 22 M14x1,5 (2 pcs.) 8 White Zincplated | ANR3679 | DRR1 |
|  | Defender from 2007 | | | Aluminium | Flat K 27 M14x1,5 (2 pcs.) 8 Yellow Zincplated + s/s cap | RRD500560 | DRR2 |
|  | Discover 3 and 4 Range Rover Sport (LS, LW) Range Rover Vogue (LM, LG) | | | Aluminium | Flat K 22 M14x1,5 (2 pcs.) 8 White Zincplated + s/s cap | RRD500590 LR068126 | DRR3-OE |
|  | Range Rover Evoque | | | Aluminium | Conical 60° K 21 M14x1,5 10 White Zincplated + s/s cap | LR001381 | DF03 |
|  | Defender up to 2006 Discovery 1 Range Rover Classic | | | Steel | Conical 80° K 27 M16x1,5 8 White Zincplated | RRD500010 | DRR01-D |
| MAZDA | | | | | | | |
|  | 121 (DB, DW) 323 (BF, BW) 626 (GC, GD, GV, GE, GF, GW) CX-5 CX-7 CX-9 | Demio 2 (DE, DJ, DL) 3 (BK, BL, BM, BN) 5 (CR, CW) 6 (GG, GY, GH, GJ, GL) MX-3 (EC) | MX-5 (NA, NB, NC, ND) MX-6 (GD, GE) | Aluminium | Conical 60° K 21 M12x1,5 8 Chromeplated | 0B002-37-160 B002-37-160B B002-37-160A B002-37-160X KA78-37-160 KA79-37-160 KB77-37-160 UH72-37-160 UH73-37-160 UR58-37-160 | DKIA01-OE |
|  | 121 (DB, DW) 323 (BF, BW) 626 (GC, GD, GV, GE, GF, GW) CX-5 CX-7 CX-9 | Demio 2 (DE, DJ, DL) 3 (BK, BL, BM, BN) 5 (CR, CW) 6 (GG, GY, GH, GJ, GL) MX-3 (EC) | MX-5 (NA, NB, NC, ND) MX-6 (GD, GE) | Steel | Conical 60° K 21 M12x1,5 8 Chromeplated | 0603-26-161A 0603-26-161 0603-26-161X | DKIA02-OE |

OE APPLICATION

| Picture | Car Model | | Wheel Type | Technical Characteristics | Replacement OEM Part. Number | Bimecc Part Nr. |
|---|--|---|------------------------|---|---|-----------------|
| MERCEDES | | | | | | |
|  | Sprinter 616 (905) Vario 512 (667) 612 (668) 814 (670) 815 (670) 609 (668) | 709 (669) | Steel | Flat K 19 M14x1,5 10 White Zincplated | 074361 014205 | JDBC14A19015Z |
|  | Class A (168) C (202, 203) CLK (208, 209) E (210) SL (129) SLK (170, 171) | Vaneo (414) 190 (201) 200 (124) | Steel | Spherical R12 K 17 M12x1,5x21/39,5 10.9 White Zincplated | 170 401 01 70 201 401 02 70 000 990 45 07 210 401 02 70 | LS17A21F |
|  | Class A (168) C (202, 203) CLC (203) CLK (208, 209) E (124, 210) SL (129) | SLK (170, 171) Vaneo (414) 190 (201) 200 (124) | Aluminium | Spherical R12 K 17 M12x1,5x40/61 10.9 White Zincplated | 124 400 01 70 000 990 48 07 124 400 00 70 124 400 04 70 202 400 00 70 000 900 10 07 203 401 02 70 | S17A40 / B22 |
|  | Class S (140) | | Steel | Spherical R12 K 17 M14x1,5x25/45 10.9 Deltaprotekt KL100 | 140 401 02 70 | LS17D25FKL100 |
|  | Sprinter I (207, 208, 209, 210, 212, 214, 307, 308, 309, 310, 312, 314) | | Steel | Spherical R14 K 19 M14x1,5x34/63 10.9 Zinc Nickel + Finigard 105 | 601 401 02 70 | S19D34R14 |
|  | Class A (169, 176) B (245, 246) C (204 alloy wheels only) CLS (218, 219) E (207, 211, 212, 213) GL (164 alloy wheels only) | GLC (253) GLK (204) ML (163, 164 alloy wheels only) R (251 alloy wheels only) SL (230) SLK (172) | Steel and Aluminium | Spherical R14 K 17 M14x1,5x26,5/49 10.9 Deltaprotekt KL100 | 000 990 67 07 000 990 69 07 000 990 72 07 000 990 49 07 163 401 06 70 211 401 03 70 | LS17D27R14 |
|  | CL (215) E (213) GE (461, 463) GLK (204 steel wheels only) GLE (166, 292 steel wheels only) ML (164 steel wheels only) | R (251 steel wheels only) GL (164) S (140, 220) | Aluminium | Spherical R14 K 17 M14x1,5x45/70 10.9 Corrolube ZS-73-A | 000 990 53 07 | S17D45R14PI |
|  | Class A (169, 176) B (245, 246) C (204) CLS (218, 219) E (207, 211, 212, 213) GL (164) | GLC (253) GLK (204) ML (163, 164) R (251) SL (230) SLK (172) | Aluminium | Spherical R14 K 17 M14x1,5x27 10.9 Corrolube + s/s cap | 000 990 51 07 | LS17D27R14CI |
|  | CL (215) E (213) GE (461, 463) GLK (204) GLE (166, 292) ML (164) | R (251) GL (164) S (140, 220) | Aluminium | Spherical R14 K 17 M14x1,5x48,5 10.9 Corrolube + s/s cap | 000 990 54 07 | S17D45R14CI |


OE APPLICATION

| Picture | Car Model | | Wheel Type | Technical Characteristics | Replacement OEM Part. Number | Bimecc Part Nr. | |
|---|--|---|--------------------------|--|--|-------------------------|-------|
|  | Class A (176) B (246) C (204, 205) CLA (117, 218) E (207, 212) GL (164, 166) | GLA (156) GLK (204) ML (164 and 166 steel wheels only) SL (231 steel wheels only) SLK (172 steel wheels only) | Aluminium | Spherical R14 K 17 M14x1,5x27/46 9.8 Corrolube | 000 990 83 07 | S17D27R14PIZN | |
|  | CLS (257) GL (166) GLK (204) ML (166) R (251) S (217) | | Aluminium | Spherical R14 K 17 M14x1,5x45/64 9.8 Corrolube | 000 990 76 07 | S17D45R14PIZN | |
|  | GLE (W167) GLE coupé (W167) GLS (from 2020) | | Aluminium | Spherical R14 K 17 M15x1,25x27/48,5 10.9 Zinc Nickel Black | TO BE ADVISED | PS17Q27-MW-ZN | |
|  | GLE (W167) GLE coupé (W167) GLS (from 2020) | | Aluminium | Spherical R14 K 17 M15x1,25x45/66,5 9.8 Zinc Nickel Black | TO BE ADVISED | PS17Q45-MW-ZN | |
| MINI | | | | | | | |
|  | Cooper and Cooper S (R52 up to 07/2006, R53 up to 07/2006, R55, R56, R57, R60) Clubman (R55) Countryman (R60) JCW (R52, R55, R56, R57, R58) One (R50 until 07/2006) One (R55, R56) | Paceman (UKL) | Steel and Aluminium | Conical 60° K 17 M12x1,5x26/51 10.9 Corrolube | 36 13 0 141 574 | B12PI | |
|  | Cooper and Cooper S (R52 from 07/2006, R53 from 07/2006, R55, R56, R57, R60) Clubman (R55, UKL) Countryman (R60, FMX) JCW (R52, R55, R56, R57, R58) One (R50 from 07/2006) One (R55, R56) | | Steel and Aluminium | Conical 60° K 17 M14x1,25x27/48 8.8 Corrolube | 36136781151-03 | C17F27PI2 | |
| MITSUBISHI | | | | | | | |
|  | ASX (GA0) Carisma (DA0) Colt (C50, CA0, CJO, Z30, Z3B) Galant (E30, E40) I-Miev (HA0, HAV) Lancer (CS0, CY0) | L200 (KT0T) L300 (PA0, PA0V, PO0V, PO0W) Outlander (CU0W, CWO) Pajero (H60W) Space Gear (PA0) Space Wagon (NT0, N30, N50) | Space Star (DGO, A00) | Steel | Conical 60° K 21 M12x1,5 8 Yellow Zincplated | MR 297927 MA 103 087 | DMTSB |

OE APPLICATION

| Picture | Car Model | Wheel Type | Technical Characteristics | Replacement OEM Part. Number | Bimecc Part Nr. |
|---|--|--|---|---|-----------------|
|  | ASX (GA0) Carisma (DA0) Colt (C50, CA0, CJO, Z30, Z3B) Space Gear (PA0) Galant (E30, EAO) I-Miev (HA0, HAV) | Lancer (CS0, CY0) Space Star (DG0, A00) | Aluminium Flat K 21 M12x1,5 (2 pcs.) 8 Chromeplated | MR 455707 | DT0Y01 |
|  | ASX (GA0) Carisma (DA0) Colt (C50, CA0, CJO, Z30, Z3B) Galant (E30, EAO) I-Miev (HA0, HAV) Lancer (CS0, CY0) | L300 (PA0, PAOV, POOV, POOW) Outlander (CUOW, CWO) Pajero (H60W) Space Gear (PA0) Space Wagon (N10, N30, N50) Space Star (DG0, A00) | Steel and Aluminium Head Ø 18 K 14,3 M12x1,5x42/47 10.9 White Zincplated | MB 911495 | CRP143A42 |
| NISSAN | | | | | |
|  | Pixo (HF) | | Steel Conical 60° K 19 M12x1,25 8 White Zincplated | 36181-4A0A2 | D61 |
|  | Qashqai (J11) Micra (K14) | | Steel and Aluminium Conical 60° K 17 M12x1,5x24/49 10.9 White Zincplated | 40254-00Q0P | B27 |
|  | Micra (K12) Note (E11) | | Steel and Aluminium Conical 60° K 19 M12x1,5x25/51 10.9 White Zincplated | 40254-00QAB 40222-BC40A | B15 |
|  | Maxima (A32, A33) Micra (K10, K11, K13) Note (E12) Patrol (260, K160, Y60A, Y61) Pick-Up (D22) Primera (P11, P12) | Pulsar (C13) Qashqai (J10) Sunny (N14, B12, N13) Terrano (WD21, R20) X-Trail (T30, T31, T32) | Steel Conical 60° K 21 M12x1,25 8 Yellow Zincplated | 40224-ZE73A 40224-G9501 40224-21001 | DNIS |
| OPEL | | | | | |
|  | Agila A (H00 up to chassis 3G999999) | | Steel and Aluminium Conical 60° K 19 M12x1,25 8 White Zincplated | 4705 171 | D61 |
|  | Antara (L-A) | | Aluminium Conical 60° K 19 M12x1,5 8 White Zincplated + s/s cap | 4803 304 | D30 |
|  | Combo (D) | | Steel and Aluminium Conical 60° K 17 M12x1,25x22/48,5 8.8 Deltaprotekt KL100 | 1.008.011 | IBS13230425 |


OE APPLICATION

| Picture | Car Model | Wheel Type | Technical Characteristics | Replacement OEM Part. Number | Bimecc Part Nr. |
|---|---|---|---|------------------------------|-----------------|
|  | Antara (L-A) Astra J (P-J) Insignia B (5x115 only) Mokka (J-A, steel wheel only) Zafira Tourer (P-J-SW) | | Steel and Aluminium Conical 60° K 19 M12x1,5 10 White Zincplated | 1.008.010 1.008.516 | D14CL10 |
|  | Mokka (J-A) | | Aluminium Conical 60° K 19 M12x1,5 10 White Zincplated + s/s cap | 1.008.013 | DGM01 |
|  | Adam (S-D) Agila A (H00 from chassis 3H000000) Corsa (A-B-C-D) Astra (F, G, H) Combo (C) Meriva (A, B) | Omega (B) Signum (Z-C-S) Tigra (S93, X-C) Vectra (A, B, C) Zafira (A-B) | Steel and Aluminium Conical 60° K 17 M12x1,5x22/47,5 10.9 White Zincplated | 1.008.504 | LC17A22F |
|  | Crossland X (P7) Grandland X (Z) | | Steel Conical 60° K 17 M12x1,25x26/47 10.9 Deltaprotekt KL100 | 3.637.362 | B0400-001 |
|  | Crossland X (P7) Grandland X (Z) | | Aluminium Flat K 17 M12x1,25x17/57 (2 pcs.) 10.9 Deltaprotekt KL100 | 5405.67 | VPE03 |
| PEUGEOT | | | | | |
|  | 106 (1A, 1C) 205 (20A, 20C) 306 (7A, 7D) 309 (10A, 10C) 405 (15B, 15E) 406 (8B) | 605 (6B) Partner (HDZ, NFU) | Aluminium Flat K 19 M12x1,25x17/63 (2 pcs.) 10.9 White Zincplated | 5405.35 | VPE01-ZB |
|  | 308 (4) 407 (6C, 6D) 3008 (OU) 5008 (O) Expert 3 Partner 3 Tepee | Ranch 3 | Steel Conical 60° K 17 M12x1,25x26/49 (2 pcs.) 10.9 Deltaprotekt KL100 | 5405.72 160 873 44 80 | C17B24-MW |
|  | 106 (1A, 1C) 205 (20A, 20C) 306 (7A, 7D) 309 (10A, 10C) 405 (15B, 15E) 406 (8B) | 605 (6B) Partner (HDZ, NFU) | Steel Conical 60° K 19 M12x1,25x26/52 10.9 White Zincplated | 5405.55 | C19B26 |
|  | 206 (HFZ) 207 (W) 208 (C) 2008 (C) 301 (D) 307 (3A, 3C) | 308 (4, L) 3008 (M) 309 (L) 508 (8) 5008 (M) 1007 (K) | Steel Conical 60° K 17 M12x1,25x26/47 10.9 Deltaprotekt KL100 | 5405.66 | B0400-001 |

OE APPLICATION

| Picture | Car Model | | | Wheel Type | Technical Characteristics | Replacement OEM Part. Number | Bimecc Part Nr. |
|---|--|---|--|---|---|------------------------------|-----------------|
|  | 206 (HFZ) 207 (W) 208 (C) 301 (D) 307 (3A, 3C) 308 (1, 2, 4, L) | 407 (6C, 6D) 508 (8) 607 (9D, 9U) 1007 (K) 2008 (C) 2008 (C) | 3008 (OU, M) 3008 (OU) 5008 (O, M) Expert 2 Tepee (G9) Expert 3 Tepee Partner (HDZ, NFU) RCZ | Aluminium | Flat K 17 M12x1,25x17/57 (2 pcs.) 10.9 Deltaprotekt KL100 | 5405.67 | VPE03 |
|  | 107 (P) 108 (580W) | | | Steel | Conical 60° K 17 M12x1,5x21/47 10.9 White Zincplated | 5405.77 | C17A21 |
|  | 107 (P) 108 (580W) | | | Aluminium | Flat K 17 M12x1,5x32,5/53,5 (2 pcs.) 10.9 Deltaprotekt KL100 | 5405.80 5405.85 | VPE05 |
|  | Expert (B/222, X) 807 (E) | | | Steel and Aluminium | Conical 60° K 17 M14x1,5x25/48,6 10.9 Deltaprotekt KL100 | 5405.68 5405.69 | B46-KL100 |
|  | BOXER (230, 244 Axial load 1,1 - 1,4 Tons) | | | Steel (5x118 only) | Conical 60° K 24 M14x1,5x28,2/53 10.9 Deltaprotekt KL 100 | 5405.75 | B0046-003 |
|  | BOXER (230, 244 Axial load from 1,8 Tons) | | | Steel (5x130 only) | Conical 60° K 24 M16x1,5x31/57 10.9 Deltaprotekt KL100 | 5405.76 | B0046-004 |
|  | BOXER (250 Axial load 1.1 - 1,7 Tons) | | | Steel and Aluminium (5x118 only) | Conical 60° K 21 M14x1,5x27/62 10.9 Deltaprotekt KL100 | 5405.78 5405.88 | B0046-006 |
|  | BOXER (250 Axial load from 1,6 Tons) | | | Steel and Aluminium (5x130 only) | Conical 60° K 21 M16x1,5x29/64 10.9 Deltaprotekt KL100 | 5405.79 | B0046-007 |
|  | I-on (1) 4007 (V) 4008 (B) | | | Steel | Conical 60° K 21 M12x1,5 8 Yellow Zincplated | 5405.81 | DMTSB |
|  | 4007 (V) 4008 (B) | | | Aluminium | Flat K 21 M12x1,5 (2 pcs.) 8 Chromeplated | 5405.82 | DT0Y01 |
|  | I-on (1) 4007 (V) 4008 (B) | | | Steel and Aluminium | Head Ø 18 K 14,3 M12x1,5x42/47 10.9 White Zincplated | 3714.28 | CRP143A42 |

OE APPLICATION

| Picture | Car Model | | | Wheel Type | Technical Characteristics | Replacement OEM Part. Number | Bimecc Part Nr. |
|---|---|---|--|------------------------|---|--------------------------------|-----------------|
| PORSCHE | | | | | | | |
|  | 911 912 914 924 944 | | | Aluminium | Spherical R14 K 19 M14x1,5 10 White Zincplated | N 020 112 1 | D17R |
|  | 911 (930, 964, 991, 993, 996 from 2000, 997) Boxter (982, 986, 987) Cayman (9TA, 982) Panamera (970,971) | | | Aluminium | Spherical R14 K 19 M14x1,5x30/60 (2 pcs.) Deltaprotekt KL100 | 997 361 203 01 | PS19D30-MWA |
|  | Cayenne | | | Aluminium | Spherical R14 K 19 M14x1,5x37/6 (2 pcs.) 10.9 White Zincplated | 7L0 601 139 A | PS19D37-MW |
|  | Macan (95B) | | | Aluminium | Spherical R14 K 19 M14x1,5x30/60 (2 pcs.) Zinc Nickel black | 996 352 086 02 WHT 006 978 | PS19D30ZM-MWA |
| RENAULT | | | | | | | |
|  | Clio (B, C57) Espacio (S115) Kangoo (KC) Laguna (B56, K56, LA, EA) Megane (BA, DA, LA, EA) Thalia/Symbol (B) | Megane (BA, DA, LA, EA) Thalia/Symbol (B) Twingo (C06) R5 (B-C40, F40) R19 (B-C53, X53, L53) R21 (L48) | R5 (B-C40, F40) R19 (B-C53, X53, L53) R21 (L48) | Steel | Conical 60° K 19 M12x1,5x25/51 10.9 White Zincplated | 82 00 030 701 82 00 719 981 | B15 |
|  | Capture (R) Clio (R) Grand Scenic (RFA) Kangoo (W, FW) Laguna (G) Megane (M, JM, Z, JZ, RFB) | Modus (P) Scenic (RFA) Talisman (RFD) Twingo (N, AH) Zoe (AG) | | Steel and Aluminium | Conical 60° K 17 M12x1,5x24/49 10.9 White Zincplated | 40 22 221 21R | B27 |
|  | Espace (RFC) Laguna (T) | | | Steel and Aluminium | Conical 60° K 17 M14x1,5x27/51 10.9 White Zincplated | 77 03 003 009 | C17D27 |
|  | Koleos (Y) | | | Steel | Conical 60° K 21 M12x1,25 8 Yellow Zincplated | 40224-21001 | DNIS |
| SAAB | | | | | | | |
|  | 900 (from 1994) 9-3 (from 2003) 9-5 (from 2005) | | | Steel and Aluminium | Conical 60° K 17 M12x1,5x25,8/54,3 10.9 Deltaprotekt KL100 | 921152366 4908067 | 4908067 |





OE APPLICATION

| Picture | Car Model | Wheel Type | Technical Characteristics | Replacement OEM Part. Number | Bimecc Part Nr. |
|---|---|---------------------|---|--|-----------------|
| SEAT | | | | | |
|  | Arosa (6H, 6HS) Cordoba (6K, 6K/C) Ibiza (6K) Inca (9KS, 9KSF) Mii (AA) Toledo (1L 4x100 only) | Steel and Aluminium | Spherical R13 K 17 M12x1,5x24,5/45,7 10.9 White Zincplated | 3A0 601 139 321 601 139C WHT 004 899 | LS17A25F-Z |
|  | Alhambra (7N) Altea (5P) Ateca (5FP) Cordoba (6L) Exeo (3R) Ibiza (6L, 6J, KJ) | Steel and Aluminium | Spherical R13 K 17 M14x1,5x27/47,5 10.9 White Zincplated | WHT 002 437 | LS17D27F |
|  | Alhambra (7MS from 1996 to 2000) | Steel and Aluminium | Spherical R14 K 19 M14x1,5x34/58 10.9 Zinc Nickel black | 701 601 139 B | LS19D34F |
|  | Alhambra (7MS from 2001 to 2010) | Steel and Aluminium | Spherical R14 K 19 M14x1,5x34/62 (2 pcs.) 10.9 Deltaprotjekt KL100 | 7M3 601 139B | LS19D34F-MW |
| SKODA | | | | | |
|  | Citigo (AA) Favorit (781) Felicia (791, 795, 797) | Steel and Aluminium | Spherical R13 K 17 M12x1,5x24,5/45,7 10.9 White Zincplated | WHT 004 899 3A0 601 139 | LS17A25F-Z |
|  | Fabia (6Y, 5J) Karoq (NU) Kodiaq (NS) Octavia (1U, 1Z, 5E) Rapid (NH) Roomster (5J) | Steel and Aluminium | Spherical R13 K 17 M14x1,5x27/47,5 10.9 White Zincplated | WHT 002 437 | LS17D27F |
| SMART | | | | | |
|  | Forfour (454) | Steel and Aluminium | Head Ø 18 K 14,3 M12x1,5x42/47 10.9 White Zincplated | 454 350 01 35 S1 | CRP143A42 |
|  | Forfour (454) | Steel | Conical 60° K 21 M12x1,5 8 Yellow Zincplated | 454 402 00 72 | DMTSB |
|  | Fortwo Forfour (W453) | Steel | Conical 60° K 17 M12x1,5x26/51 10.9 White Zincplated | A4539900007 | B27 |

OE APPLICATION

| Picture | Car Model | Wheel Type | Technical Characteristics | Replacement OEM Part. Number | Bimecc Part Nr. | |
|---|---|---|---|--|--|-------------------------------------|
| SUZUKI | | | | | | |
|  | Alto (FF, GF) Baleno (EG) Ignis (FH, MF) Grand Vitara (JT) Jimny (F-J) Kizashi (FR) | Liana (ER) Swift (EA, MA, AZ) SX4 Wagon R+ (EM) Celerio (LF) | Steel | Conical 60° K 19 M12X1,25 8 White Zincplated | 09140-12042 D61 | |
|  | Baleno (EW) Ignis (MF) Jimny (GJ) Swift (AZ) | | Steel and Aluminium | Conical 60° K 19 M12X1,25 8 White Zincplated | 09159-12057 D31 | |
|  | Ignis (MH) Splash (EX) Swift (EZ/MZ, NZ/FZ) Vitara (LY) Wagon R+ (MM, H00) | | Steel and Aluminium | Conical 60° K 17 M12x1,5x22/47,5 10.9 White Zincplated | 43423-86G00 LC17A22F | |
| TESLA | | | | | | |
|  | Model S Model X | | Aluminium | Conical 60° K 21 M14X1,5 10 Zincnickel + s/s cap | 5 196 786 DF10 | |
| TOYOTA | | | | | | |
|  | Auris (E15J, E18UM) Avenis (T22, T25, T27, M2) Camry (V2, V10) Carina (T19U) IQ (AJ1) Celica (T18, T20) | C-HR (AX1T) Corolla (E10, E11, E12, R1) Hiace (H1) Hilux (N1, N16, N25S) Paseo (L5) Previa (R3) | Prius (HW2, HW3, HW4, HW5) RAV 4 (A2, XA3) Urban Cruiser (XP11) Verso (XP12) Yaris (P1, P2, XP9, XP13M) | Steel | Conical 60° K 21 M12x1,5 8 Yellow Zincplated | 90942-01007 90942-01007 DMTSB |
|  | Auris (E15J, E18UM) Avenis (T22, T25, T27, M2) Camry (V2, V10) Carina (T19U) Celica (T18, T20) C-HR (AX1T) | Corolla (E10, E11, E12, R1) Hiace (H1) Hilux (N1, N16, N25S) IQ (AJ1) Paseo (L5) Previa (R3) | Prius (HW2, HW3, HW4, HW5) RAV 4 (A2, XA3) Urban Cruiser (XP11) Verso (XP12) Yaris (P1, P2, XP9, XP13M) | Aluminium | Flat K 21 M12x1,5 (2 pcs.) 8 Chromeplated | 90942-01033 DYOY01 |
|  | 4 Runner Land Cruiser Prado Rav 4 Highlander GS300-400-430 (from '08/96) | GX470 IS200-300 (from '07/01) Lexus ES300 LS400-430 (from '01/00) RX300-400H (from '01/98) SC300-400-430 (from '01/97) | | Aluminium | Flat K 21 M12x1,5 (2 pcs.) 8 Chromeplated | 90942-01058 DYOY03 |
|  | Land Cruiser (70, 100, 200, 400) Tundra Lexus (LX470, LX570) | | Aluminium | Flat K 22 M14x1,5 (2 pcs.) 8 Chromeplated | 90942-01103 DYOY04 | |





OE APPLICATION

| Picture | Car Model | Wheel Type | Technical Characteristics | Replacement OEM Part. Number | Bimecc Part Nr. |
|---|------------------|------------|---|------------------------------|-----------------|
|  | Aygo (AB1, 580W) | Steel | Conical 60° K 17 M12x1,5x21/47 10.9 White Zincplated | 90942-W2001 | C17A21 |
|  | Proace (V) | Steel | Conical 60° K 17 M12x1,25x26/49 (2 pcs.) 10.9 Deltaprotekt KL100 | 5405.72 160 873 44 80 | C17B24-MW |
|  | Proace (V) | Aluminium | Flat K 17 M12x1,25x17/57 (2 pcs.) 10.9 Deltaprotekt KL100 | 5405.67 | VPE03 |
|  | Aygo (AB1, 580W) | Aluminium | Flat K 17 M12x1,5x32,5/53,5 (2 pcs.) 10.9 Deltaprotekt KL100 | 90942-W2002 5405.85 | VPE05 |

VOLKSWAGEN

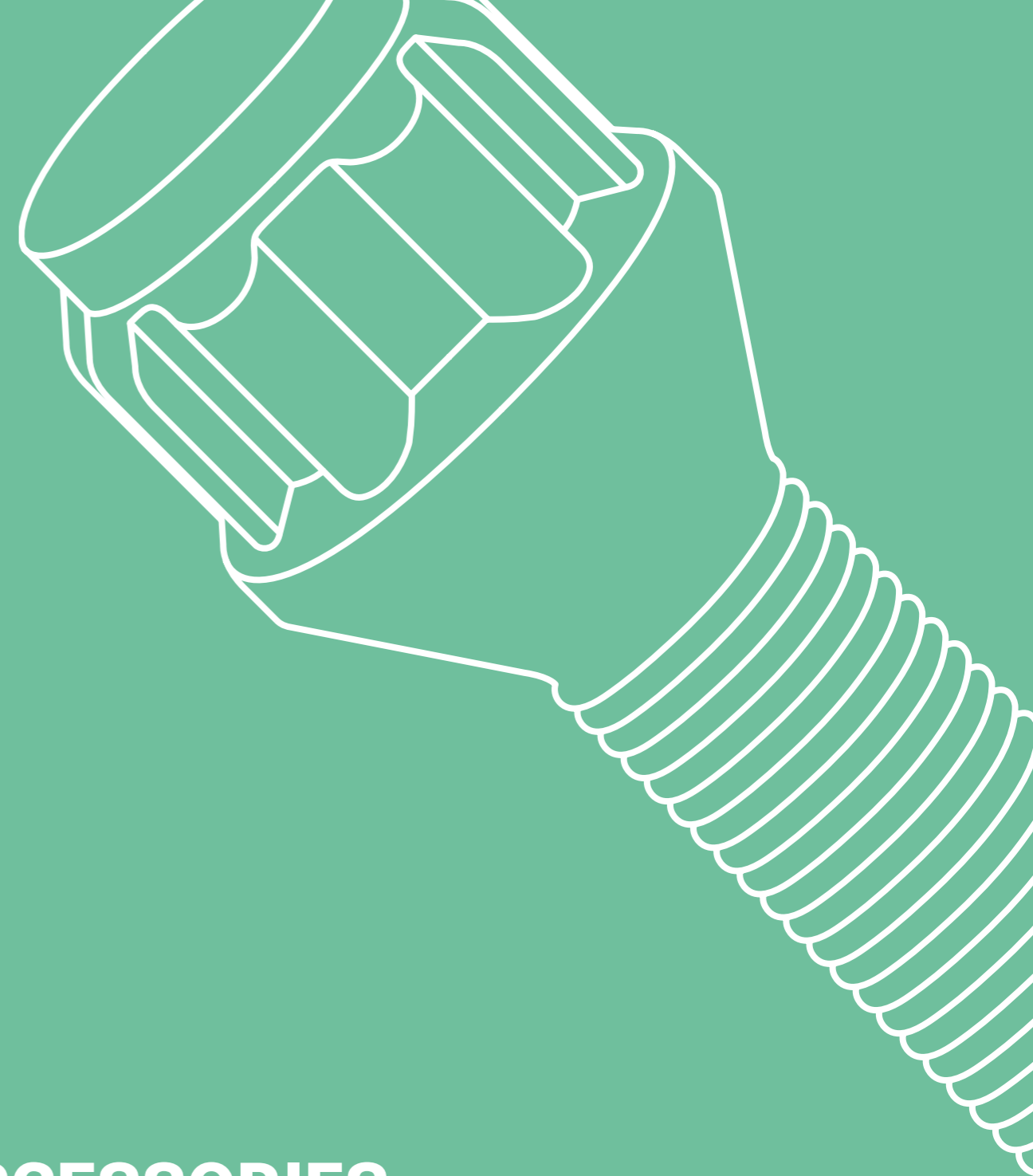
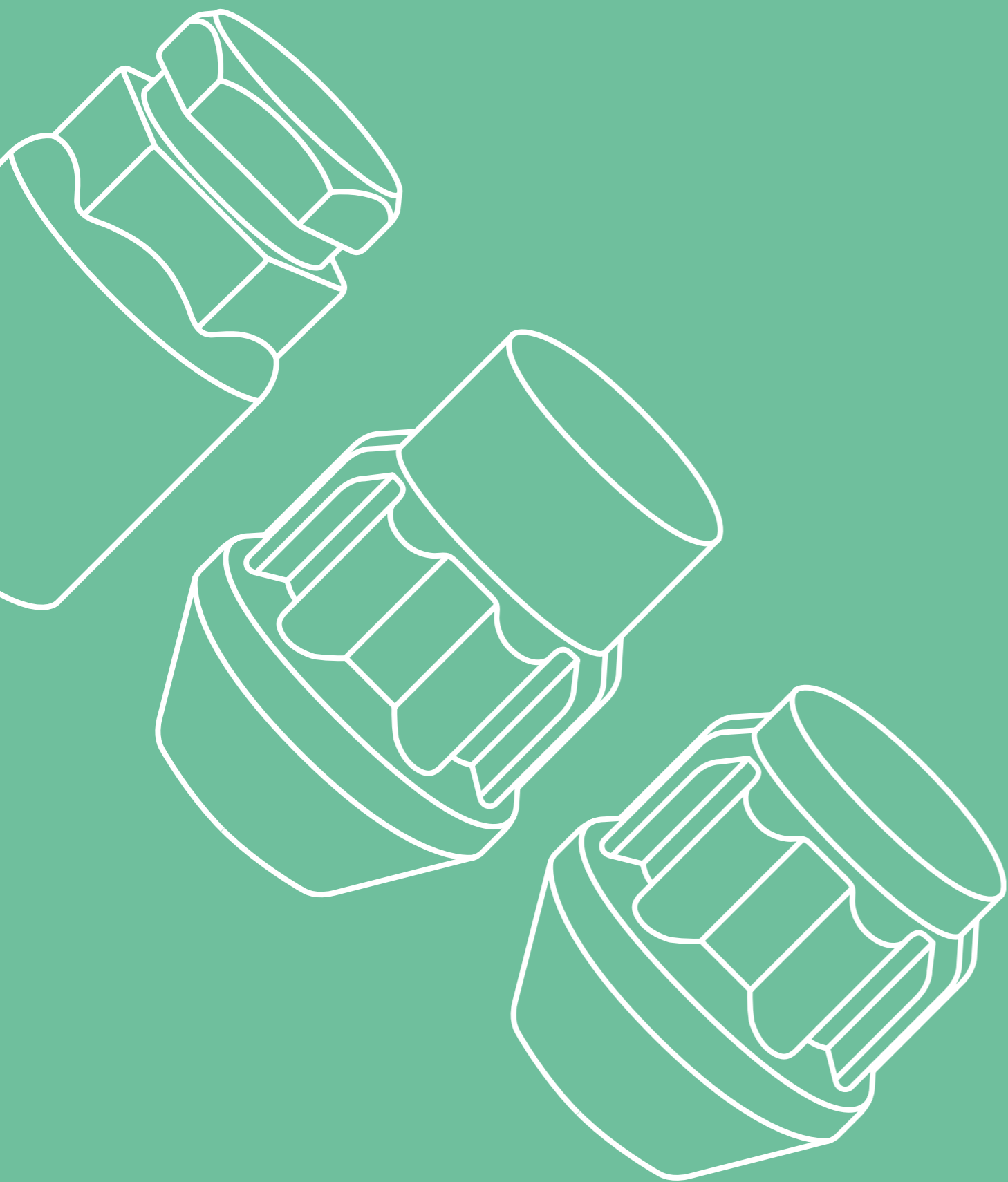
| | | | | | | | |
|---|---|--|--|--|--|-------------|----------|
|  | Transporter T2 Transporter T3 | Steel | Spherical R14 K 19 M14x1,5 10 White Zincplated | N 020 112 1 | D17R | | |
|  | Caddy (9KVF, 9U) Corrado (53i only 4x100) Golf (155, 19E, 1H 4x100 only) Jetta (19E) Lupo (6X) Passat (35i, 35i-299) | Polo (86C, 6N, 6NF) Scirocco (53) Up (AA) Vento (1H 4x100 only) | Steel and Aluminium | Spherical R13 K 17 M12x1,5x24,5/45,7 10.9 White Zincplated | 321 601 139 C 3A0 601 139 WHT 004 899 | LS17A25F-Z | |
|  | Sharan (7M from 1995 to 2000) Transporter T4 (7DZ) | Steel and Aluminium | Spherical R14 K 19 M14x1,5x34/58 10.9 Zinc Nickel Black | 701 601 139 B 7M0 601 139A | LS19D34F | | |
|  | Sharan (7M from 2000 to 2010) Transporter T4 (2001-2003) | Steel and Aluminium | Spherical R14 K 19 M14x1,5x34/62 (2 pcs.) 10.9 Deltaprotekt KL100 | 7M3 601 139 B | LS19D34F-MW | | |
|  | Beetle (16) Bora (1J, 9M, 1K) Caddy (2K, 2KN, 2CA) CC (358) Corrado (53i 5x100 only) Eos (1F) | Fox (5Z) Golf (1H 5x100 only, 1J, 1K, 1KM, 1KP, AU) Jetta (1KM, 16) New Beetle (9C, 1Y, 16) Passat (3B, 3BG, 3C, B8) Polo (9N, 6R, AW) | Steel and Aluminium | Scirocco (13) Sharan (7N) Tiguan (5N) T-Cross (C1) T-Roc (A1) Touran (1T, 5T) | Spherical R13 K 17 M14x1,5x27/47,5 10.9 White Zincplated | WHT 002 437 | LS17D27F |

OE APPLICATION

| Picture | Car Model | Wheel Type | Technical Characteristics | Replacement OEM Part. Number | Bimecc Part Nr. |
|---|--|------------------------|--|------------------------------|-----------------|
|  | Phaeton (3D) | Aluminium | Spherical R13 K 17 M14x1,5x27/51 (2 pcs.) 10.9 White Zincplated | 4D0 601 139 A | LS17D27F-MW2 |
|  | Touareg (7L, 7P) Transporter T5 (7H) | Aluminium | Spherical R14 K 19 M14x1,5x37/67 (2 pcs.) 10.9 White Zincplated | 7L0 601 139 A | PS19D37-MW |
|  | Touareg (CR) | Steel and Aluminium | Spherical R14 K 17 M14x1,5x30/59,5 (2 pcs.) 10.9 Deltaprotekt KL100 | 8R0 601 295 | WS17D30-MW |
|  | Crafter 30/35 (2EC1, 2FJ1) LT28/35 (2DM) | Steel | Spherical R14 K 19 M14x1,5x34/63 10.9 Zinc Nickel + Finigard 105 | 2D0 601 139 WHT 000 888 | S19D34R14 |

VOLVO

| | | | | | | | |
|---|---|-------------------------------------|---|------------------------|--|----------|-----------|
|  | 240-260 (P244, P245) | Steel and Aluminium | Conical 60° K 19 1/2" NF 8 White Zincplated + s/s cap | 1273332 | D33 | | |
|  | S40/V40 (V) | Steel | Conical 60° K 21 M12x1,5 8 Yellow Zincplated | 30870000 30873148 | DMTSB | | |
|  | C30 (M) S40/V50 (M) S90/V90 (9) V40 (M) | Steel | Conical 60° K 19 M12x1,5 10 Deltaprotekt KL100 | 8665333 999359 | D60FB | | |
|  | C30 (M) S40/V50 (M) S90/V90 (9) V40 (M) | Aluminium | Conical 60° K 19 M12x1,5 10 White Zincplated + s/s cap | 31329645 | DF02N | | |
|  | S70/V70 (L) 850 (L, LS, LW) | Steel and Aluminium | Conical 60° K 19 M12x1,75x28,5/55 10.9 White Zincplated | 3546651 | VOLVO | | |
|  | S60 (RH, F) S80 (T, A) V60 (F) C70 (N) S70/V70 (G) S90/V90 (P) | V70 (J) XC60 (D) V70/XC70 (B) | XC90 (C, L) | Steel and Aluminium | Conical 60° K 19 M14x1,5x34/60 (2 pcs.) 10.9 White Zincplated | 31362432 | C19D34-MW |



ACCESSORIES

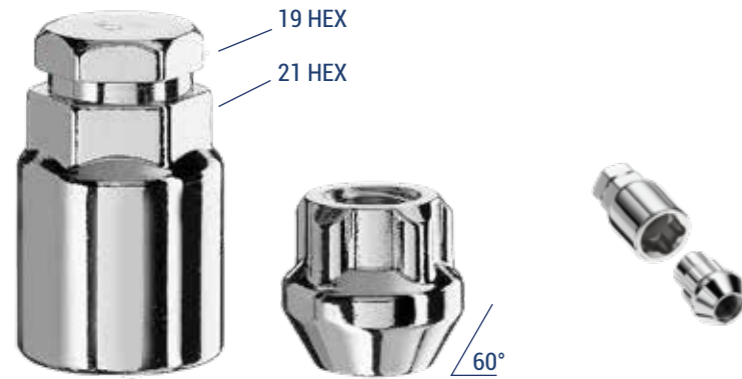
| | |
|---------------|-------|
| Lock kits | 56-57 |
| PCD | 58 |
| Studs | 59-60 |
| Wheel inserts | 60 |
| Wheel spacers | 61 |
| Hub rings | 62-63 |

ACCESSORIES

LOCK NUTS

CONE SEAT 60°

ALSO AVAILABLE IN BLACK



| OPEN WHEEL LOCK NUTS | | |
|----------------------|-------------|---------|
| THREAD SIZE | HEX ADAPTOR | PART # |
| M12x1,5 | 19/21 | UM0115 |
| M12x1,25 | 19/21 | UM0215 |
| M12x1,75 | | enquire |
| M14x1,5 | 19/21 | UM0415 |
| M14x2 | | enquire |
| 3/8 UNF | | enquire |
| 7/16 UNF | | enquire |
| 1/2 UNF | 19/21 | UM0012 |
| 9/16 UNF | | enquire |

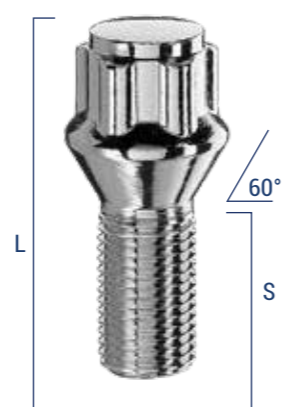
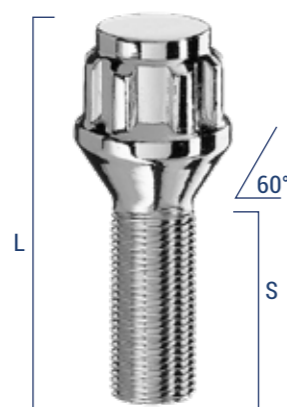
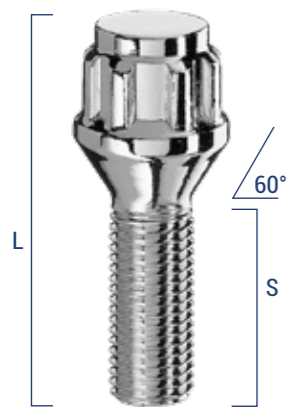


| CLOSED WHEEL LOCK NUTS | | |
|------------------------|-------------|---------|
| THREAD SIZE | HEX ADAPTOR | PART # |
| M12x1,5 | 19/21 | UM115 |
| M12x1,25 | 19/21 | UM215 |
| M12x1,75 | | enquire |
| M14x1,5 | 19/21 | UM415 |
| M14x2 | | enquire |
| 3/8 UNF | | enquire |
| 7/16 UNF | | enquire |
| 1/2 UNF | 19/21 | UM012 |
| 9/16 UNF | | enquire |

LOCK BOLTS

CONE SEAT 60°

ALSO AVAILABLE IN BLACK



| WHEEL LOCKS LUG BOLTS M12x1,5 | | |
|-------------------------------|----|--------|
| S | L | PART # |
| 23 | 49 | UB123 |
| 26 | 51 | UB125 |
| 30 | 54 | UB130 |
| 40 | 64 | UB140 |

| WHEEL LOCKS LUG BOLTS M12x1,25 | | |
|--------------------------------|----|--------|
| S | L | PART # |
| 23 | 48 | UB323 |
| 27 | 52 | UB325 |
| 42 | 67 | UB342 |
| 50 | 75 | UB350 |

| WHEEL LOCKS LUG BOLTS M14x1,5 | | |
|-------------------------------|----|--------|
| S | L | PART # |
| 25 | 50 | UB425 |
| 28 | 53 | UB428 |
| 30 | 55 | UB430 |
| 32 | 58 | UB432 |
| 40 | 66 | UB440 |
| 50 | 76 | UB450 |

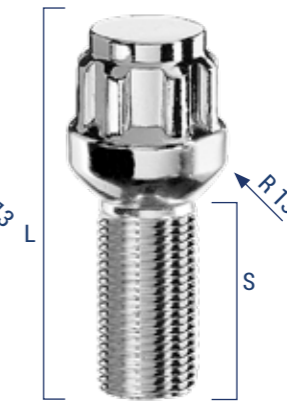
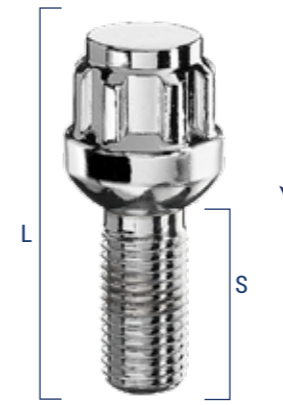
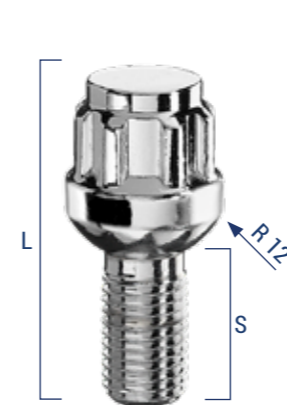
| WHEEL LOCKS LUG BOLTS M14x1,25 | | |
|--------------------------------|----|--------|
| S | L | PART # |
| 27 | 51 | UB527 |
| 43 | 67 | UB543 |
| 50 | 74 | UB550 |

ACCESSORIES

LOCK BOLTS

BALL SEAT

ALSO AVAILABLE IN BLACK



| WHEEL LOCKS LUG BOLTS M12X1,5 BALL SEAT | | |
|---|----|--------|
| S | L | PART # |
| 23 | 48 | UBR123 |

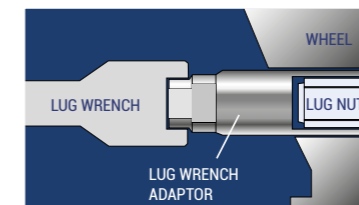
| WHEEL LOCKS LUG BOLTS M12X1,5 BALL SEAT | | |
|---|----|--------|
| S | L | PART # |
| 28 | 51 | UBR130 |

| WHEEL LOCKS LUG BOLTS M14X1,5 BALL SEAT | | |
|---|----|--------|
| S | L | PART # |
| 28 | 51 | UBR430 |
| 40 | 73 | UBR440 |
| 45 | 78 | UBR445 |

| HEX ADAPTOR | |
|-------------|--------|
| | PART # |
| 17/19 | |

LUG WRENCH

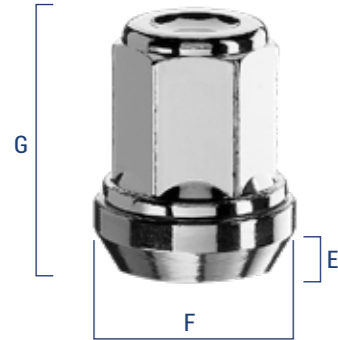
ADAPTORS



| HEX1 | HEX2 | HEX3 | LENGTH | D | PART # |
|------|------|------|--------|----|-----------|
| 17 | 21 | 19 | 45 | 24 | AU1921 |
| 17 | 21 | 19 | 75 | 24 | BR17.2119 |
| 19 | 19 | 17 | 68 | 27 | BR19.1917 |
| 19 | 21 | 19 | 68 | 27 | BR19.2119 |
| 17 | 19 | 17 | 78 | 24 | BR17.1917 |

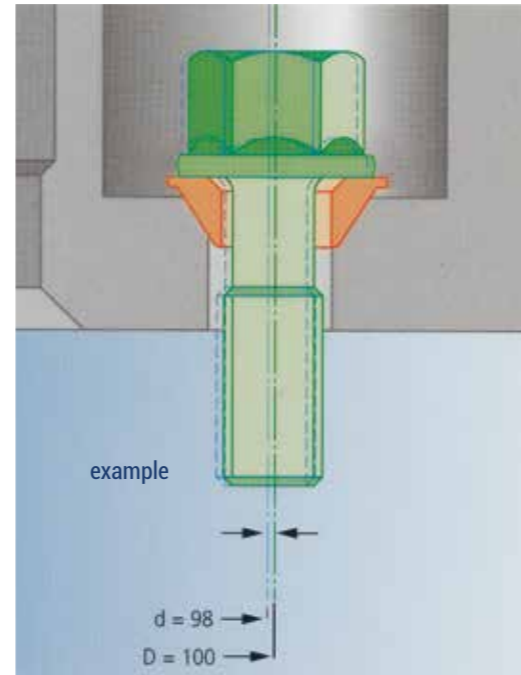
ACCESSORIES

PCD VARIATIONS NUTS



DIMENSIONS OF PCD VARIATION NUTS HEX 19

| CODE | THREAD | THREAD DEPTH | E | F | G |
|--------|----------|--------------|---|----|----|
| DV6LE | M12x1,5 | 26 | 4 | 26 | 34 |
| DV2LE | M12x1,25 | 26 | 4 | 26 | 34 |
| DV10LE | 1/2 UNF | 26 | 4 | 26 | 34 |



PCD VARIATIONS BOLTS

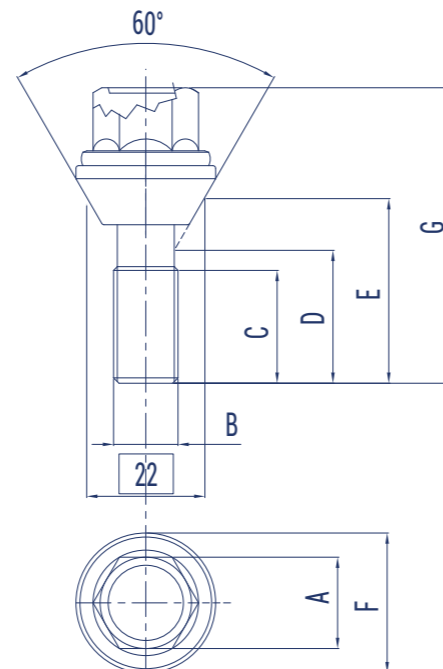
IMPORTANT: MAXIMUM GUARANTEE PCD VARIATION ON RADIUS: 1.2MM (SEE SKETCH)

DIMENSIONS OF PCD VARIATION BOLTS HEX 19

| CODE | A | B | C | D | E | F | G |
|----------|----|----------|----|------|------|----|------|
| B39LE | 19 | M12x1,25 | 21 | 24,5 | 34,6 | 26 | 57 |
| B40LE | 19 | M12x1,25 | 21 | 29,5 | 39,6 | 26 | 62 |
| B39LE/55 | 19 | M12x1,25 | 37 | 46 | 55 | 26 | 77,4 |

DIMENSIONS OF PCD VARIATION BOLTS HEX 17

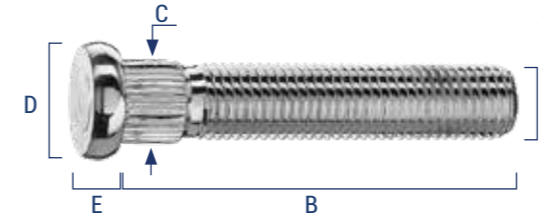
| CODE | A | B | C | D | E | F | G |
|----------|----|----------|------|------|------|----|------|
| A39LE-22 | 17 | M12x1,25 | 18,5 | 22 | 32,1 | 26 | 54,5 |
| A39LE | 17 | M12x1,25 | 21 | 24,5 | 34,6 | 26 | 57 |
| B48LE | 17 | M12x1,5 | 21 | 27 | 36,5 | 26 | 59 |
| B48LE-30 | 17 | M12x1,5 | 24 | 30 | 39,5 | 26 | 62 |
| D39LE | 17 | M14x1,5 | 25 | 27 | 35 | 28 | 58 |



With this NEW item you can use one wheel with unified center bore for several applications. This bolt is fitted with a mobile conical washer which keeps the bolts axis perpendicular to the wheel while allowing radial displacement and a consequent PCD variation.

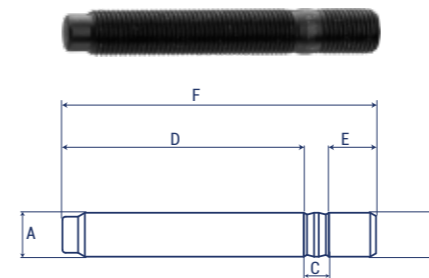
ACCESSORIES

SPLINE WHEEL STUDS



| VEHICLE | PART # | A | B | C | D | E |
|---------------------------------------|--------------|----------|---------|------|----|---|
| Honda | CRP124A47 | M12X1,5 | 47 | 12,4 | 18 | 5 |
| Honda | CRP124A52 | M12X1,5 | 52 | 12,4 | 18 | 5 |
| Honda | CRP124A62 | M12X1,5 | 62 | 12,4 | 18 | 5 |
| Ford - Chevrolet | CRP130A36 | M12X1,5 | 36 | 13,0 | 18 | 5 |
| Ford - Chevrolet | CRP130A40 | M12X1,5 | 40 | 13,0 | 18 | 5 |
| Ford - Chevrolet | CRP130A42 | M12X1,5 | 42 | 13,0 | 18 | 5 |
| Ford - Chevrolet | CRP130A52 | M12X1,5 | 52 | 13,0 | 18 | 5 |
| Ford - Chevrolet | CRP130A55 | M12X1,5 | 55 | 13,0 | 18 | 5 |
| Ford - Chevrolet | CRP130A65 | M12X1,5 | 65 | 13,0 | 18 | 5 |
| Toyota - Mazda - Hyundai - Mitsubishi | CRP143A42 | M12X1,5 | 42 | 14,3 | 18 | 5 |
| Toyota - Mazda - Hyundai - Mitsubishi | CRP143A57 | M12X1,5 | 57 | 14,3 | 18 | 5 |
| Subaru - Suzuki - Kia | CRP143B40 | M12X1,25 | 40 | 14,3 | 18 | 5 |
| Subaru - Suzuki - Kia | CRP143B52 | M12X1,25 | 52 | 14,3 | 18 | 5 |
| Subaru - Suzuki - Kia | CRP143B57 | M12X1,25 | 57 | 14,3 | 18 | 5 |
| Subaru - Suzuki - Kia | CRP143B62 | M12X1,25 | 62 | 14,3 | 18 | 5 |
| Toyota - Mazda - Hyundai - Mitsubishi | CRP143A62 | M12X1,5 | 62 | 14,3 | 18 | 5 |
| Offroads | CRP157E46D20 | 1/2"UNF | 1/2"UNF | 15,7 | 20 | 5 |
| Porsche | CRP149D45 | M14X1,5 | 45 | 14,9 | 20 | 5 |

HUB STUDS

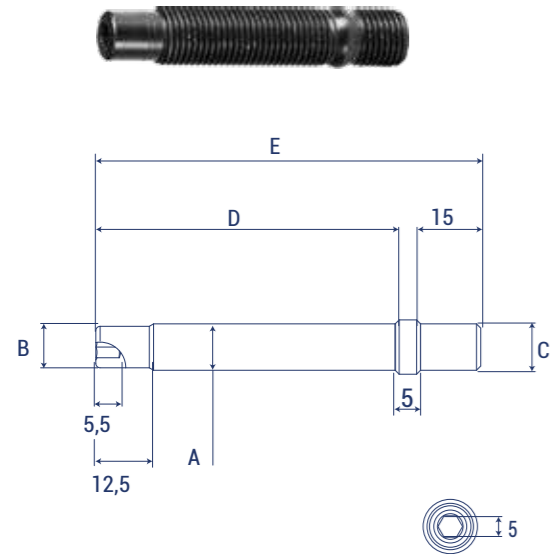


| Part nr. | A | B | C | D | E | F | Quality Class | Surface | Res. to corrosion |
|----------|---------|--------|---|----|----|-----|---------------|------------|-------------------|
| PRBA68 | 12x1.25 | 12x1.5 | 8 | 45 | 15 | 68 | 10.9 | ZnNi Black | >500h SST |
| PRBA82 | 12x1.25 | 12x1.5 | 8 | 59 | 15 | 82 | 10.9 | ZnNi Black | >500h SST |
| PRBA100 | 12x1.25 | 12x1.5 | 8 | 77 | 15 | 100 | 10.9 | ZnNi Black | >500h SST |

ACCESSORIES

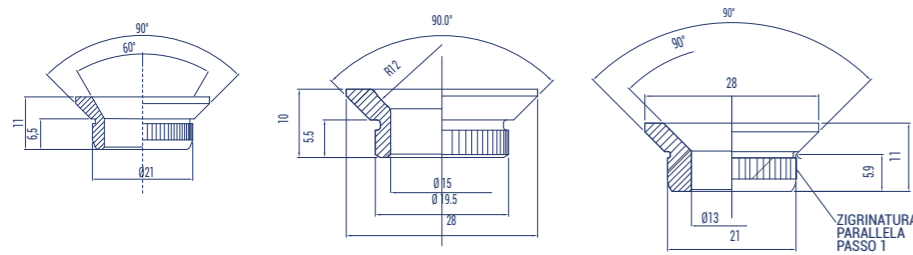
HUB

STUDS (WITH HEXAGONAL KEY)



| Part nr. | A | B | C | D | E | Quality Class | Surface | Res. to corrosion |
|----------|---------|------|---------|----|----|---------------|------------|-------------------|
| PRA68CH5 | 12x1.5 | 9.7 | 12x1.5 | 48 | 68 | 10.9 | ZnNI Black | >500h SST |
| PRA75CH5 | 12x1.5 | 9.7 | 12x1.5 | 55 | 75 | 10.9 | ZnNI Black | >500h SST |
| PRA82CH5 | 12x1.5 | 9.7 | 12x1.5 | 62 | 82 | 10.9 | ZnNI Black | >500h SST |
| PRA90CH5 | 12x1.5 | 9.7 | 12x1.5 | 70 | 90 | 10.9 | ZnNI Black | >500h SST |
| PRB68CH5 | 12x1.25 | 9.7 | 12x1.25 | 48 | 68 | 10.9 | ZnNI Black | >500h SST |
| PRB75CH5 | 12x1.25 | 9.7 | 12x1.25 | 55 | 75 | 10.9 | ZnNI Black | >500h SST |
| PRB82CH5 | 12x1.25 | 9.7 | 12x1.25 | 62 | 82 | 10.9 | ZnNI Black | >500h SST |
| PRB90CH5 | 12x1.25 | 9.7 | 12x1.25 | 70 | 90 | 10.9 | ZnNI Black | >500h SST |
| PRD68CH5 | 14x1.5 | 11.7 | 14x1.5 | 48 | 68 | 10.9 | ZnNI Black | >500h SST |
| PRD75CH5 | 14x1.5 | 11.7 | 14x1.5 | 55 | 75 | 10.9 | ZnNI Black | >500h SST |
| PRD82CH5 | 14x1.5 | 11.7 | 14x1.5 | 62 | 82 | 10.9 | ZnNI Black | >500h SST |
| PRD90CH5 | 14x1.5 | 11.7 | 14x1.5 | 70 | 90 | 10.9 | ZnNI Black | >500h SST |
| PRF68CH5 | 14x1.25 | 11.7 | 14x1.25 | 48 | 68 | 10.9 | ZnNI Black | >500h SST |
| PRF75CH5 | 14x1.25 | 11.7 | 14x1.25 | 55 | 75 | 10.9 | ZnNI Black | >500h SST |
| PRF82CH5 | 14x1.25 | 11.7 | 14x1.25 | 62 | 82 | 10.9 | ZnNI Black | >500h SST |
| PRF90CH5 | 14x1.25 | 11.7 | 14x1.25 | 70 | 90 | 10.9 | ZnNI Black | >500h SST |

WHEEL INSERTS CUSTOM DESIGNED



| Part nr. | Description | Surface | Res. to corrosion |
|----------|----------------------------------|---------|-------------------|
| BM | Wheel Insert inside ϕ 16mm. | Zn | >96h SST |
| BH | Wheel Insert inside ϕ 15mm. | Zn | >96h SST |
| BP | Wheel Insert inside ϕ 13mm. | Zn | >96h SST |

THREADED BUSHINGS



| Part nr. | Thread |
|------------|----------|
| 2087-99-1A | M12x1,5 |
| 2087-99-1B | M12x1,25 |
| 2087-99-1D | M14x1,5 |
| 2087-99-1F | M14x1,25 |

ACCESSORIES

WHEEL SPACERS

AVAILABLE IN DIFFERENT SIZES FOR ALL CARS AND MODELS - APPLICATION LIST AVAILABLE

To give your car the final visual and performance touch, Bimecc has created a complete line of Aluminum hub centric Wheel Spacers. They are designed to quickly and easily adapt your vehicle to a wider and more stable stance.

They give your car a more aggressive look, improve handling performance and optimize the lateral stability! They extend wheel width for higher stability and increased safety.

You can use wheel spacers to provide your car with an offset not offered by the wheel manufacturer.

40 TO 80 mm TRACK WIDENING



THICK SPACERS

This spacer is fitted to the hub with Bimecc Short Head wheel bolts and carries new threaded steel inserts for the existing wheel bolt.

40 TO 90 mm TRACK WIDENING



OFF ROAD TYPE

This spacer is fitted to the hub with Bimecc Short Head nuts and carries new wheel studs for the existing wheel nuts.

10 TO 40 mm TRACK WIDENING



LUG THROUGH TYPE

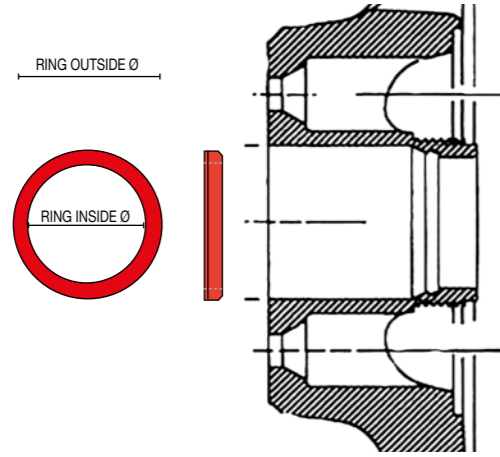
This spacer is fitted between the wheel and hub, using longer wheel bolts available in our range

- **CUSTOM DESIGNED**
- **CNC MACHINED**
- **AVAILABLE FOR MOST CARS**
- **SUITABLE FOR OE OR AFTERMARKET WHEELS**
- **4, 5, 6, 8 HOLES / STUDS**
- **DIAMOND CUT FINISHING**

BENEFITS OF WHEEL SPACERS:

Redistributes center of gravity; reduces risk of rollover
 Better traction and cornering
 Vehicle can still use factory rims
 Wider tires can be placed on the factory rims
 Allows better control at greater inclined angles
 Improved appearance!

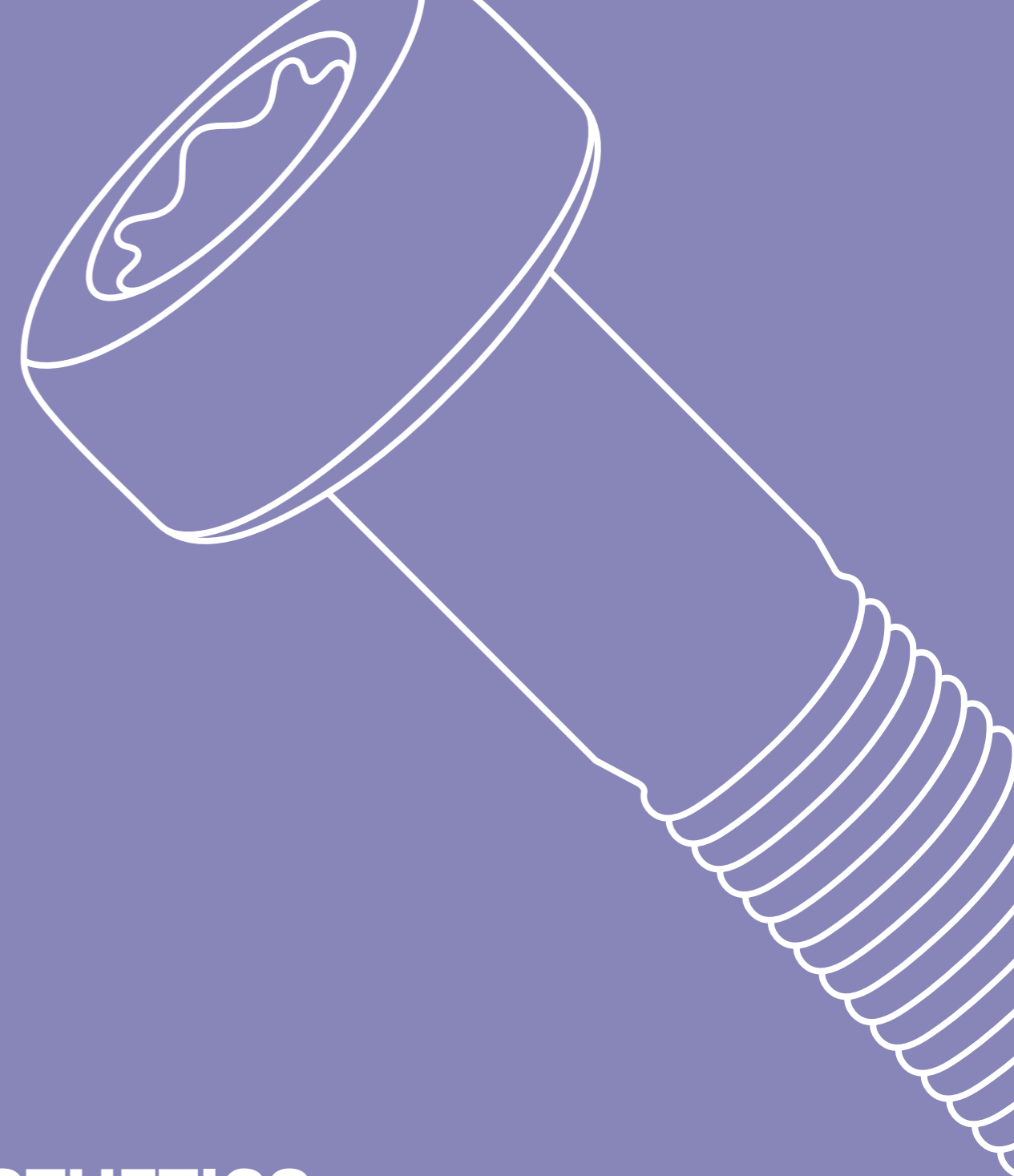
ACCESSORIES



ACCESSORIES



| | | PLASTIC HUB RING | | | | | | | | | | ALUMINUM HUB RING | | | | | | | | | | | | |
|---------------------------|-------|----------------------------|----------|-----------|----------|----------|----------|----------|----------|-----------|----------|----------------------------|----------|---------------------|-----------------------|----------------------|----------------------|----------------------|-----------------------|----------|----------------------|----------|---------|------|
| | | RING OUTSIDE DIAMETER (mm) | | | | | | | | | | RING OUTSIDE DIAMETER (mm) | | | | | | | | | | | | |
| | | 60.1 | 63.3 | 63.3 | 63.4 | 64.0 | 65.1 | 66.6 | 67.1 | 70.0 | 70.1 | 70.4 | 71.6 | 72 | 72.2 | 72.6 | 73.1 | 74.1 | 75 | 76 | 79,5 | | | |
| RING INSIDE DIAMETER (mm) | 52.1 | AP601521 | | | AP634521 | | | | | | | | | AP72520 | | | AP730521 | | | | | 52.1 | | |
| | 54.1 | AP601541 | AP633541 | AP633541U | AP634541 | AP640541 | | | AP671541 | | | AP704541 | | AP72540 | AP722541 | AP726541 AN726541 | AP731541 | AP741541 | AN75541 | AP76540 | | | 54.1 | |
| | 56.1 | AP601561 | AP633561 | AP633561U | AP634561 | AP640561 | | AP666561 | AP671561 | AP700561U | | AP704561 | AP716561 | AP72561 | AP722561 | AP726561 AN726561 | AP731561 | | AN75561 | AP76561 | | | 56.1 | |
| | 56.6 | AP601566 | AP633566 | AP633566U | AP634566 | AP640566 | | AP666566 | AP671566 | AP700566U | AP701566 | AP704566 | AP716566 | AP72566 | AP722566 | AP726566 AN726566 | AP731566 | AP741566 | AN75566 | AP76566 | | | 56.6 | |
| | 57.1 | AP601571 | AP633571 | AP633571U | AP634571 | AP640571 | | AP666571 | AP671571 | AP700571U | AP701571 | AP704571 | | AP72571 AP72571A | AP722571 AP722571A | AP726571 AN726571 | AP731571 | AP741571 | AN75571 | AP76571A | AP795571 | | 57.1 | |
| | 58.1 | AP601581 | AP633581 | AP633581U | AP634581 | AP640581 | | | AP671581 | AP700581U | AP701581 | AP704581 | | | AP72581 | AP722581 | AP726581 AN726581 | AP731581 | AP741581 | AN75581 | AP76581 | | 58.1 | |
| | 58.6 | | | AP633586U | AP634586 | | | | AP670586 | | | | | | AP72586 | | | AP730586 | | | | | 58.6 | |
| | 59.1 | AP601591 | AP633591 | AP633592U | | AP640591 | | | AP671591 | | | | | | | | AN726591 | AP731591 | | AN75591 | | | 59.1 | |
| | 59.6 | | | | | | | | | AP700595U | AP701596 | | | | | | | | AN726596 | AP730596 | | AN75596 | AP76596 | 59.6 |
| | 60.1 | | AP633601 | AP633602U | AP634601 | AP640601 | AP651601 | | AP671601 | AP700601U | AP701601 | | AP704601 | AP716601 | AP72601 | AP722601 | AP726601 AN726601 | AP731601 | AP741601 | AN75601 | AP76601 | AP795601 | | 60.1 |
| | 63.4 | | | | | | AP651634 | AP666633 | AP671634 | AP700634U | AP701634 | | AP704634 | | AP72634 | AP722634 | AP726634 AN726634 | AP731634 | AP741634 | AN75634 | AP76634 | | | 63.4 |
| | 64.1 | | | | | | | | AP671641 | AP700642U | AP701641 | | AP704641 | AP716641 | AP72641 | AP722641 | AP726641 AN726641 | AP731641 | AP741641 | AN75641 | AP76641 | AP795641 | | 64.1 |
| | 65.1 | | | | | | | AP666651 | AP671651 | AP700651U | AP701651 | | AP704651 | | AP72651 | AP722651 | AP726651 AN726651 | AP731651 | AP741651 | AN75651 | AP76651 | AP795651 | | 65.1 |
| | 66.1 | | | | | | | | AP671661 | AP700662U | AP701661 | | AP704661 | AP716661 | AP72661 | AP722661 | AP726661 AN726661 | AP731661 | AP741662 | AN75661 | AP76661 | AP795661 | | 66.1 |
| | 66.45 | | | | | | | | | | AP701664 | | AP704665 | | | | AP726665A | AP731664 | | AP76665A | AP795664 | | 66.45 | |
| | 66.6 | | | | | | | | | AP700666U | AP701666 | | AP704666 | AP716666 | AP72666 | AP722666 | AP726666 AN726666 | AP731666 | AP741666 | AN75666 | AP76666 | AP795666 | | 66.6 |
| | 67.1 | | | | | | | | | AP700671U | AP701671 | | AP704671 | AP716671 | AP72671 | AP722671 | AP726671 AN726671 | AP731671 | AP741671 | AN75671 | AP76671 | AP795671 | | 67.1 |
| | 69.1 | | | | | | | | | | AP701691 | | | | | | | AP731691 | | | AP76691 | | | 69.1 |
| | 69.6 | | | | | | | | | | | | | | | | | | | | AP76696 | | | 69.6 |
| | 70.2 | | | | | | | | | | | | | AP716703 | | | | AP731701 AP731703 | AP741701 | | AP76702 | AP795703 | | 70.2 |
| | 70.6 | | | | | | | | | | | | | AP716706 | | | | | | | AP76706 | AP795707 | | 70.6 |
| | 71.5 | | | | | | | | | | | | | | | | | AP731716 | AP741716 | | AP76716 | AP795715 | | 71.5 |
| | 72.6 | | | | | | | | | | | | | | | | | | AP741726U AN741726 | | AP76726 AP760726U | AP795725 | | 72.6 |
| | 74.1 | | | | | | | | | | | | | | | | | | | | AP76741 AP760741U | AP795741 | | 74.1 |



AESTHETICS

| | |
|--------------------|----|
| Plastic cover caps | 66 |
| Studs and Nuts | 67 |
| Wheel center caps | 68 |

AESTHETICS

PLASTIC COVER CAPS

17 - 19 - 21mm HEX

BLACK PLASTIC



| HEX | PART # |
|-----|----------|
| 17 | BV17-000 |
| 19 | BV19-000 |
| 21 | BV21-000 |

CHROME PLASTIC



| HEX | PART # |
|-----|------------|
| 17 | BV17-000CR |
| 19 | BV19-000CR |
| 21 | BV21-000CR |

PLASTIC COVER CAPS

17 - 19mm HEX

BLACK PLASTIC



| HEX | PART # |
|-----|-----------|
| 17 | BVC17-000 |
| 19 | BVC19-000 |

AESTHETICS

AESTHETIC & MODULAR

WHEEL STUDS AND NUTS

- STAINLESS STEEL RUST PROOF
- RESISTANT TO MOST COMMON WASHING ACIDS

• Self tapping
• Stainless steel AISI 304

• Self tapping
• Stainless steel AISI 304

• Self tapping
• Stainless steel AISI 304
• Torx T25 key

• Quality 10.9
• Stainless steel
• X5CrNiMo 17 13 3
• Torx T40 key

| CODE | D | A | B | C |
|-----------|---------|----|----|-----|
| M7-1-25TX | M7x1 | 25 | 17 | 5,5 |
| M7-1-32TX | M7x1 | 32 | 21 | 5,5 |
| M8-34TX | M8x1,25 | 34 | 15 | 5,5 |

AESTHETIC & MODULAR

WHEEL STUDS AND NUTS

• Chromed steel
• Quality 10.9

• Dacromet coating
• Class 10

• Dacromet coating
• Class 10

• Titanium

| CODE | A | B | C |
|------------|----|---|----|
| M7-1-31-CR | 31 | 7 | 13 |
| M8-1-32-CR | 32 | 8 | 14 |

| CODE |
|-------------|
| DM7-1-320BR |

| CODE |
|------|
| DM8 |

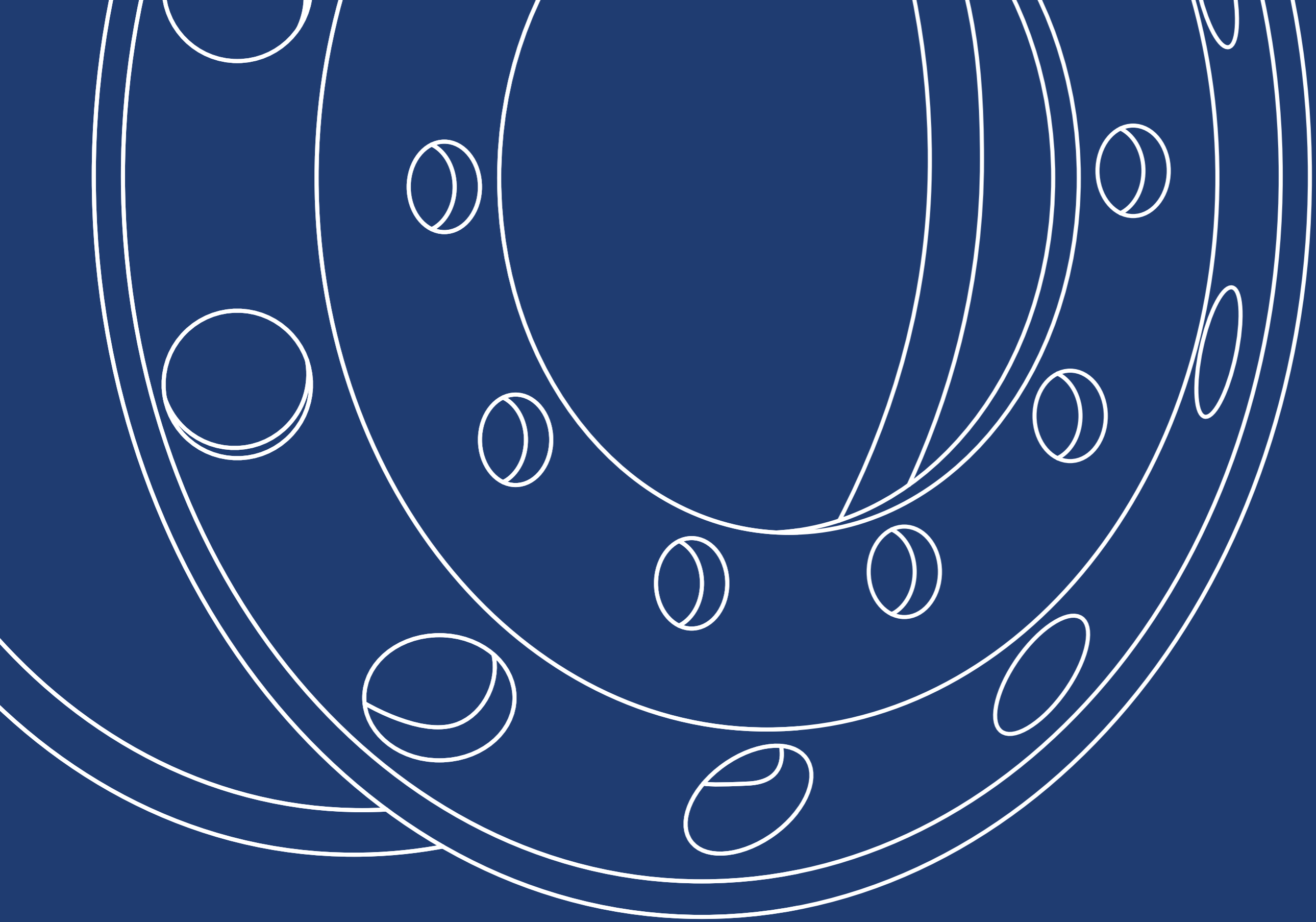
| CODE |
|------|
| 014 |

AESTHETICS

WHEEL CENTER CAPS



| BIMECC PART # | OE PART # | OUTSIDE DIAMETER | APPLICATION |
|---------------|------------------|------------------|---------------|
| CS65-POR | 000 044 605 09 | 64,5 MM. | PORSCHE |
| CS57-MINI | 3613 171 069 | 56,5 MM. | MINI |
| CS55-FORD | 6M21-1003-AA | 53 MM. | FORD |
| CS59-AUDI | 4B0 601 170 | 59 MM. | AUDI |
| CS69-AUDI-CR | 8T0 601 170 A | 69 MM. | AUDI |
| CS68-BMW | 3613 6783 536 03 | 68,3 MM. | BMW |
| CS48-FIAT | 0735448759 | 48,3 MM. | FIAT |
| CS74-MB | A1714000025 | 74,2 MM. | MERCEDES BENZ |
| CS76-PORSCHE | 99336130310 | 76,7 MM. | PORSCHE |
| CS55-VW | 6N0 601 171 | 55,5 MM. | VOLKSWAGEN |
| CS65-VW | 3B7 601 171 | 65,5 MM. | VOLKSWAGEN |
| CS64-VOLVO | 30748052 | 64 MM. | VOLVO |
| C33-BMWI3 | 3613 68 52 052 | 56,5 MM. | BMW I3 |



TRUCK

TRUCK INDEX

NUTS

NUTS

74

- flat nuts
- limes rings
- spherical nuts
- wheel nuts with thrust plate
- wheel nuts with thrust plate and sleeves

ACCESSORIES

LOCK KIT

79

- steel wheel
- alloy wheel

AESTHETICS

COVER CAPS

80

LUG NUTS

FLAT NUTS AND LIMES RINGS

| PICTURE | DIN | FORM | PART NUMBER | DESCRIPTION | QUALITY CLASS FINISHING | TECHNICAL DETAILS |
|---|---------|------|---------------|-----------------------------|----------------------------------|-------------------------------|
|  | 74361-2 | B | JDBC14A19015Z | FLAT NUT | 10 white zinc plated | M14x1,5 H.15 mm. HEX 19 |
|  | 74361-2 | B | JDBC16A22017Z | FLAT NUT | 10 white zinc plated | M16x1,5 H.17 mm. HEX 22 |
|  | 74361-2 | C | JRCI14Z26006V | SPHERICAL RING "LIMES" TYPE | HRC 44-51 Delta Protekt KL100 | Ø 14,5 H.6 mm. |
| | | | JRCI16Z27007V | | | Ø 16,5 H.7 mm. |
|  | 74361-2 | B | JDBC18A24018T | FLAT NUT | 10 Delta Protekt KL100 | M18x1,5 H.18 mm. HEX 24 |
|  | 74361-2 | B | JDBC20A27020T | FLAT NUT | 10 Delta Protekt KL100 | M20x1,5 H.20 mm. HEX 27 |
|  | 74361-2 | B | JDBC22A30022T | FLAT NUT | 10 Delta Protekt KL100 | M22x1,5 H.22 mm. HEX 30 |
|  | 74361-2 | C | JRCI18Z29007T | SPHERICAL RING "LIMES" TYPE | HRC 44-51 Delta Protekt KL100 | Ø 18,5 H.7 mm. |
| | | | JRCI20Z34008T | | | Ø 20,5 H.8 mm. |
| | | | JRCI22Z34008T | | | Ø 22,5 H.8 mm. |








LUG NUTS

SPHERICAL NUTS

| PICTURE | DIN | FORM | PART NUMBER | DESCRIPTION | QUALITY CLASS FINISHING | TECHNICAL DETAILS |
|---|---------|------|---------------|--------------------------|---------------------------|--------------------------------|
|  | 74361-2 | A | D17R | SPHERICAL NUT Radius 14° | 10 white zinc plated | M14x1,5 H.20 mm. HEX 19 |
|  | 74361-2 | A | JDAC16A24026Z | SPHERICAL NUT Radius 16° | 10 white zinc plated | M16x1,5 H.26 mm. HEX 24 |
|  | 74361-2 | A | JDAC18A24025T | SPHERICAL NUT Radius 16° | 10 Delta Protekt KL100 | M18x1,5 H. 25 mm. HEX 24 |
|  | 74361-2 | A | JDAC20A27027T | SPHERICAL NUT Radius 18° | 10 Delta Protekt KL100 | M20x1,5 H.27 mm. HEX 27 |
|  | 74361-2 | A | JDAC22A27030F | SPHERICAL NUT Radius 18° | 10 Phosphated | M22x1,5 H. 30 mm. HEX 27 |
|  | 74361-2 | A | JDAC22A30030T | SPHERICAL NUT Radius 18° | 10 Delta Protekt KL100 | M22x1,5 H. 30 mm. HEX 30 |







LUG NUTS

WHEEL NUTS W/ THRUST PLATE

| PICTURE | DIN | FORM | PART NUMBER | DESCRIPTION | QUALITY CLASS FINISHING | TECHNICAL DETAILS |
|---|---------|-------|---------------|-----------------------------|-------------------------|----------------------------------|
|  | 74361-3 | N (H) | JDNC18A27025G | WHEEL NUT WITH THRUST PLATE | 10 Geomet 500A Plus M | M18x1,5 H.25 mm. HEX 27 |
|  | 74361-3 | N (H) | JDNC20A30027G | WHEEL NUT WITH THRUST PLATE | 10 Geomet 500A Plus M | M20x1,5 H.27 mm. HEX 30 |
|  | 74361-3 | N (H) | JDNC22A32027G | WHEEL NUT WITH THRUST PLATE | 10 Geomet 500A Plus M | M22x1,5 H.27 mm. HEX 32 |
|  | 74361-3 | N (H) | JDNC22A32031G | WHEEL NUT WITH THRUST PLATE | 10 Geomet 500A Plus M | M22x1,5 H.31 mm. HEX 32 |
|  | 74361-3 | N (H) | JDNC22A33031G | WHEEL NUT WITH THRUST PLATE | 10 Magni 511 | M22x1,5 H. 31 mm. HEX 33 |
|  | 74361-3 | N (H) | JDNC78E33030G | WHEEL NUT WITH THRUST PLATE | 10 Magni 511 | 7/8" 11BSF H.30 mm. HEX 33 |
|  | 74361-3 | N (H) | JDNC78D33030G | WHEEL NUT WITH THRUST PLATE | 10 Magni 511 | 7/8" 14UNF H.30 mm. HEX 33 |

LUG NUTS





WHEEL NUTS W/ THRUST PLATE AND SLEEVES

| PICTURE | DIN | FORM | PART NUMBER | DESCRIPTION | QUALITY CLASS FINISHING | TECHNICAL DETAILS |
|---|---------------------------|------|---------------|---|-------------------------|-------------------------------|
|  | AS PER ALCOA REQUIREMENTS | | JFKC22A32036T | WHEEL NUT WITH THRUST PLATE AND SHORT SLEEVE FOR ALCOA WHEELS | 10 Delta Protekt KL100 | M22x1,5 H.36 mm. HEX 32 |
|  | AS PER ALCOA REQUIREMENTS | | JFLC22A32046T | WHEEL NUT WITH THRUST PLATE AND LONG SLEEVE FOR ALCOA WHEELS | 10 Delta Protekt KL100 | M22x1,5 H.46 mm. HEX 32 |
|  | 74361-3 | K | JDKC18A27035T | WHEEL NUT WITH THRUST PLATE AND SHORT SLEEVE FOR ALLOY WHEELS | 10 Delta Protekt KL100 | M18x1,5 H.35 mm. HEX 27 |
|  | 74361-3 | L | JDLC18A27052T | WHEEL NUT WITH THRUST PLATE AND LONG SLEEVE FOR ALLOY WHEELS | 10 Delta Protekt KL100 | M18x1,5 H.52 mm. HEX 27 |
|  | 74361-3 | K | JDKC20A30039T | WHEEL NUT WITH THRUST PLATE AND SHORT SLEEVE FOR ALLOY WHEELS | 10 Delta Protekt KL100 | M20x1,5 H.39 mm. HEX 30 |
|  | 74361-3 | L | JDLC20A30062T | WHEEL NUT WITH THRUST PLATE AND LONG SLEEVE FOR ALLOY WHEELS | 10 Delta Protekt KL100 | M20x1,5 H.62 mm. HEX 30 |

LUG NUTS

WHEEL NUTS

W/ THRUST PLATE AND SLEEVES

| PICTURE | DIN | FORM | PART NUMBER | DESCRIPTION | QUALITY CLASS FINISHING | TECHNICAL DETAILS |
|---|---------|------|---------------|---|---------------------------|----------------------------------|
|  | 74361-3 | K | JDKC22A32039T | WHEEL NUT WITH THRUST PLATE AND SHORT SLEEVE FOR ALLOY WHEELS | 10 Delta Protekt KL100 | M22x1,5 H.39 mm. HEX 32 |
|  | 74361-3 | L | JDLC22A32061T | WHEEL NUT WITH THRUST PLATE AND LONG SLEEVE FOR ALLOY WHEELS | 10 Delta Protekt KL100 | M22x1,5 H.61 mm. HEX 32 |
|  | 74361-3 | K | JDKC78E32039T | WHEEL NUT WITH THRUST PLATE AND SHORT SLEEVE FOR ALLOY WHEELS | 10 Delta Protekt KL100 | 7/8" 11BSF H.39 mm. HEX 32 |
| | | | JDKC78D32039T | | | 7/8" 14UNF H.39 mm. HEX 32 |
|  | 74361-3 | L | JDLC78E32061T | WHEEL NUT WITH THRUST PLATE AND LONG SLEEVE FOR ALLOY WHEELS | 10 Delta Protekt KL100 | 7/8" 11BSF H.61 mm. HEX 32 |
| | | | JDLC78D32061T | | | 7/8" 14UNF H.61 mm. HEX 32 |

ACCESSORIES

STEEL WHEEL

LOCK KITS

| PICTURE | PART NUMBER | QUALITY CLASS FINISHING | TECHNICAL DETAILS |
|---|---------------|-------------------------|---------------------|
|  | JLNC18A27021Z | 10 Zintek 200 DS | M18x1,5 H.21 mm. |
| | JLNC20A30021Z | | M20x1,5 H.21 mm. |
| | JLNC22A32021Z | | M22x1,5 H.21 mm. |
| | JLNC78E33021Z | | 7/8" 11BSF H.21 mm. |
|  | JKEYN18A | 10 Zinc Nickel | HEX 27 mm. |
| | JKEYN20A | | HEX 30 mm. |
| | JKEYN22A | | HEX 32 mm. |
| | JKEYN78E | | HEX 33 mm. |

ALLOY WHEEL

LOCK KITS

| PICTURE | PART NUMBER | QUALITY CLASS FINISHING | TECHNICAL DETAILS |
|---|---------------|-------------------------|-------------------|
|  | JLKC22A32039Z | 10 Zintek 200 DS | M22x1,5 H.39 mm. |
|  | JLLC22A32061Z | | M22x1,5 H.61 mm. |
|  | JKEYK22A | 10 Zinc Nickel | HEX 32 mm. |

AESTHETICS

COVER CAPS

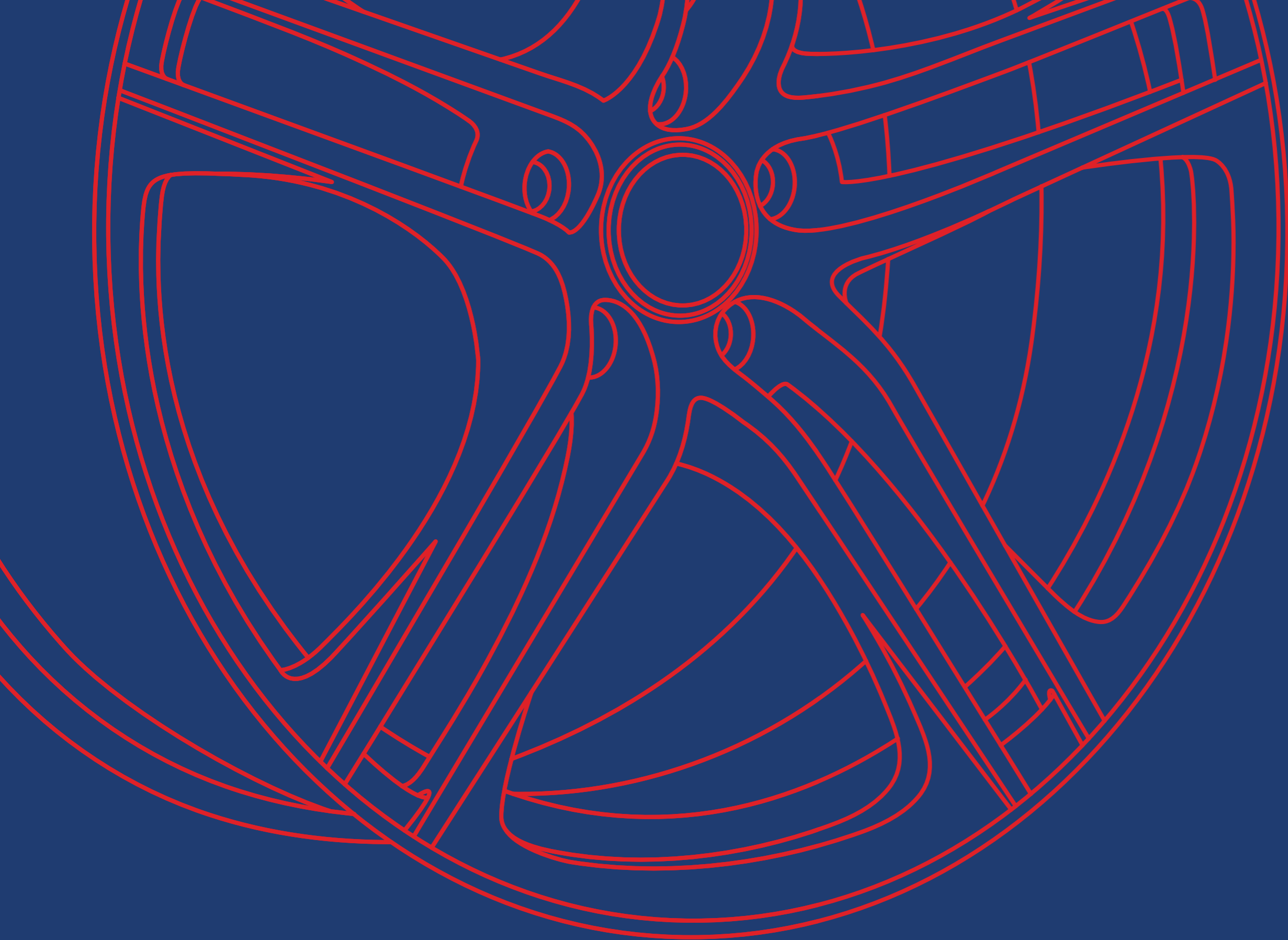
CHOOSE THE RIGHT COVER CAP FOR YOUR NUT



Part Number JCDP58N32045C



Part Number JC DL55N32045L



edgeX
The Shape of Evolution

EDGEX® Bimecc's EDGEX® patented system is a new range of fastening products, specifically studied for small hole alloy wheels.

EDGEX® summarizes Bimecc's thirty-year experience in manufacturing alloy wheels fasteners.

EDGEX® reaches high level performances: reduced dimensions and weight, mechanical characteristics in compliance with international ISO standards, high resistance to corrosion over time, use of very high quality steel and last but not least a modern and innovative design.

EDGEX® consists of two product lines, bolts and nuts, whose main characteristic is the polygonal key made of two regular pentagons symmetrically disposed.

This particular geometry not only offers remarkable technical and functional advantages, but gives the product a captivating aesthetic aspect, which intensifies the design characteristics of the most modern alloy wheels.

EDGEX® is available with two surface treatments: white zinc plating or black zinc plating which has a very high resistance to corrosion.

The product is packaged in small cardboard boxes of 20/24/32 pieces and is supplied with two types of wrench: a wrench with a double hexagonal key and a socket wrench.



THE ADVANTAGES OF EDGEX®

EDGEX® Bolts and Nuts represent a remarkable innovation which ensures great advantages for fitting:

- The polygonal Key guarantees more efficient torque transmission during tightening;
- The nut is a single piece. The EDGEX® nut guarantees protection from corrosion for life in comparison to a double piece nut, whose upper part – the spherical cap- could be lost over time and permit corrosion;
- The single piece nut is more resistant to impacts; the double piece could easily lose the spherical cap due to impacts;
- EDGEX® Bolts are verified Class 10.9. This class is obtained with a special heat treatment that guarantees 90% of tempered martensite in compliance with international standard ISO 898;
- The surface treatment, specifically studied for EDGEX®, both in black and white, completely protects the internal part of the nut, impeding the start of corrosion. So the thread remains intact over time;
- Bolts and nuts are supplied with EDGEX® keys, specifically designed for a precise coupling.



EDGEX® INDEX

NUTS

| | |
|-------------------------|----|
| TUNER NUTS | 90 |
| • 20mm outside diameter | |
| • 23mm outside diameter | |

BOLTS

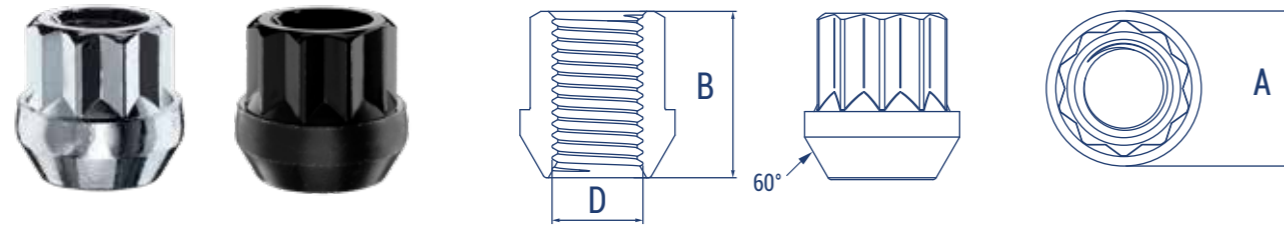
| | |
|-------------------------|----|
| TUNER BOLTS | 98 |
| • 20mm outside diameter | |
| • 23mm outside diameter | |

ACCESSORIES

| | |
|----------|-----|
| ADAPTORS | 104 |
|----------|-----|

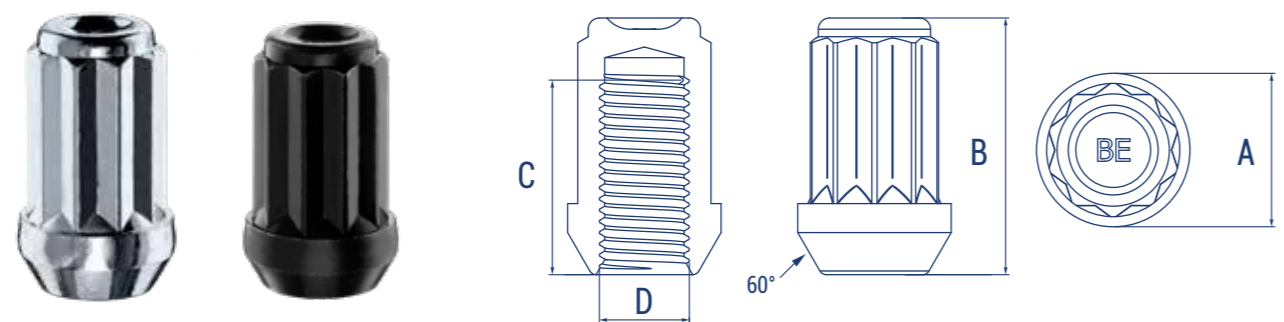
TUNER NUTS

20 mm OUTSIDE DIAMETER
22 mm LENGTH



| Part nr. | A | B | D | Type | Seat | Quality Class | Surface | Res. to corrosion |
|---------------|----|----|----------|------|------|---------------|------------|-------------------|
| TN20A22OP | 20 | 22 | M12x1.5 | OPEN | 60° | 8 | Zn White | >96h SST |
| TN20A22OP-ZNN | 20 | 22 | M12x1.5 | OPEN | 60° | 8 | ZnNI Black | >500h SST |
| TN20B22OP | 20 | 22 | M12x1.25 | OPEN | 60° | 8 | Zn White | >96h SST |
| TN20B22OP-ZNN | 20 | 22 | M12x1.25 | OPEN | 60° | 8 | ZnNI Black | >500h SST |
| TN20E22OP | 20 | 22 | 1/2 UNF | OPEN | 60° | 8 | Zn White | >96h SST |
| TN20E22OP-ZNN | 20 | 22 | 1/2 UNF | OPEN | 60° | 8 | ZnNI Black | >500h SST |

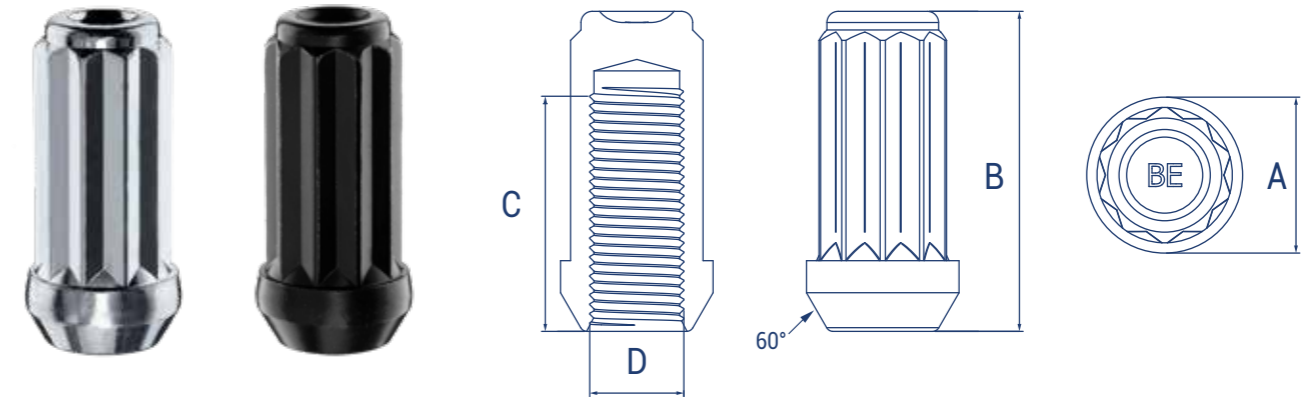
20 mm OUTSIDE DIAMETER
34 mm LENGTH



| Part nr. | A | B | C | D | Type | Seat | Quality Class | Surface | Res. to corrosion |
|--------------|----|----|----|----------|--------|------|---------------|------------|-------------------|
| TN20A34 | 20 | 34 | 26 | M12x1.5 | CLOSED | 60° | 8 | Zn White | >96h SST |
| TN20A34-ZNNI | 20 | 34 | 26 | M12x1.5 | CLOSED | 60° | 8 | ZnNI Black | >500h SST |
| TN20B34 | 20 | 34 | 26 | M12x1.25 | CLOSED | 60° | 8 | Zn White | >96h SST |
| TN20B34-ZNNI | 20 | 34 | 26 | M12x1.25 | CLOSED | 60° | 8 | ZnNI Black | >500h SST |
| TN20E34 | 20 | 34 | 26 | 1/2 UNF | CLOSED | 60° | 8 | Zn White | >96h SST |
| TN20E34-ZNNI | 20 | 34 | 26 | 1/2 UNF | CLOSED | 60° | 8 | ZnNI Black | >500h SST |
| TN20U34 | 20 | 34 | 26 | 7/16 UNF | CLOSED | 60° | 8 | Zn White | >96h SST |
| TN20U34-ZNNI | 20 | 34 | 26 | 7/16 UNF | CLOSED | 60° | 8 | ZnNI Black | >500h SST |

TUNER NUTS

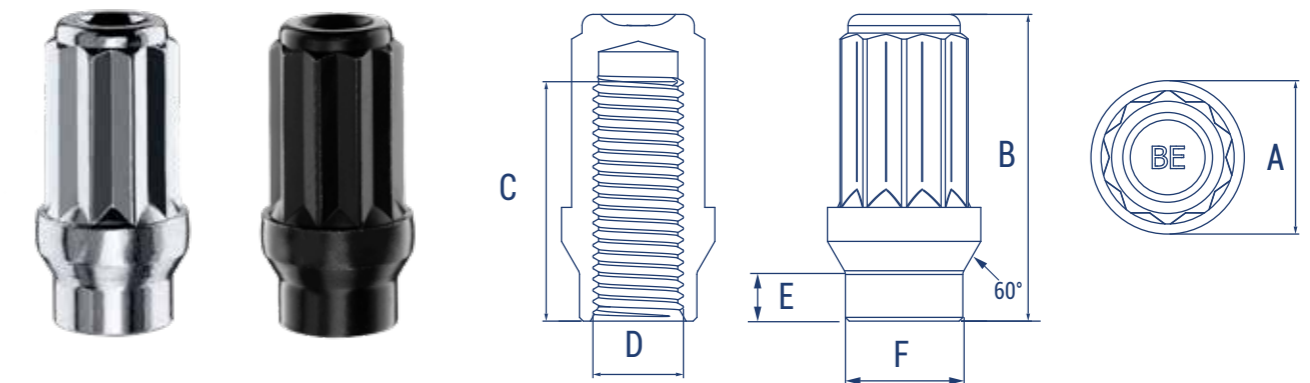
20 mm OUTSIDE DIAMETER
43 mm LENGTH



| Part nr. | A | B | C | D | Type | Seat | Quality Class | Surface | Res. to corrosion |
|----------------|----|----|----|----------|--------|------|---------------|------------|-------------------|
| TN20A43 * | 20 | 43 | 32 | M12x1.5 | CLOSED | 60° | 8 | Zn White | >96h SST |
| TN20A43-ZNNI * | 20 | 43 | 32 | M12x1.5 | CLOSED | 60° | 8 | ZnNI Black | >500h SST |
| TN20B43 * | 20 | 43 | 32 | M12x1.25 | CLOSED | 60° | 8 | Zn White | >96h SST |
| TN20B43-ZNNI * | 20 | 43 | 32 | M12x1.25 | CLOSED | 60° | 8 | ZnNI Black | >500h SST |
| TN20E43 | 20 | 43 | 32 | 1/2 UNF | CLOSED | 60° | 8 | Zn White | >96h SST |
| TN20E43-ZNNI | 20 | 43 | 32 | 1/2 UNF | CLOSED | 60° | 8 | ZnNI Black | >500h SST |

* On request

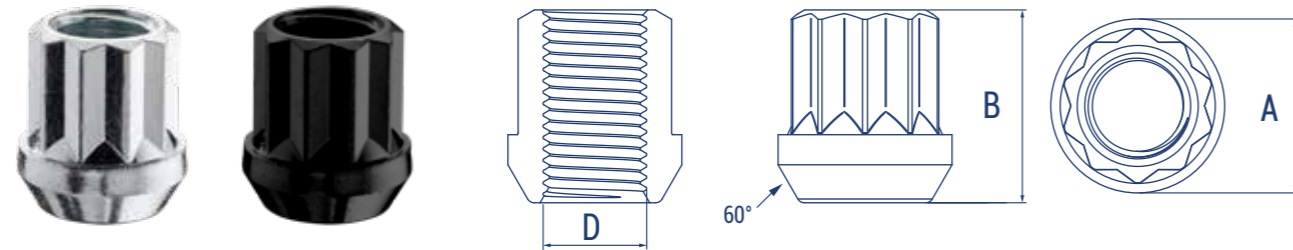
20 mm OUTSIDE DIAMETER
41 mm LENGTH w/ SHANK



| Part nr. | A | B | C | D | E | F | Type | Seat | Quality Class | Surface | Res. to corrosion |
|---------------|----|----|----|----------|-----|------|--------|------|---------------|------------|-------------------|
| TNC20A41 | 20 | 41 | 32 | M12x1.5 | 6.5 | 15.7 | CLOSED | 60° | 8 | Zn White | >96h SST |
| TNC20A41-ZNNI | 20 | 41 | 32 | M12x1.5 | 6.5 | 15.7 | CLOSED | 60° | 8 | ZnNI Black | >500h SST |
| TNC20B41 | 20 | 41 | 32 | M12x1.25 | 6.5 | 15.7 | CLOSED | 60° | 8 | Zn White | >96h SST |
| TNC20B41-ZNNI | 20 | 41 | 32 | M12x1.25 | 6.5 | 15.7 | CLOSED | 60° | 8 | ZnNI Black | >500h SST |
| TNC20E41 | 20 | 41 | 32 | 1/2 UNF | 6.5 | 15.7 | CLOSED | 60° | 8 | Zn White | >96h SST |
| TNC20E41-ZNNI | 20 | 41 | 32 | 1/2 UNF | 6.5 | 15.7 | CLOSED | 60° | 8 | ZnNI Black | >500h SST |

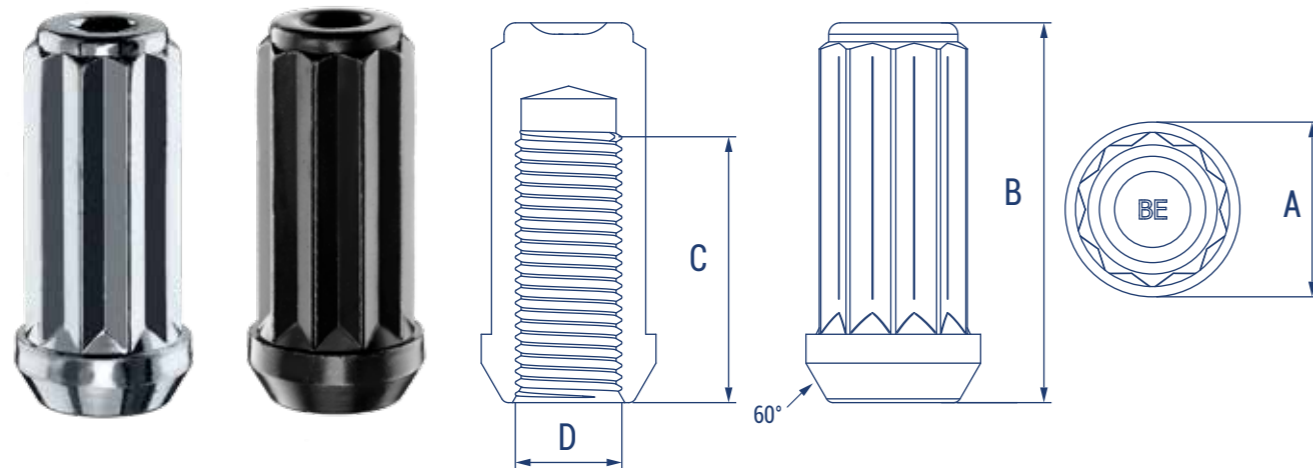
TUNER NUTS

23 mm OUTSIDE DIAMETER
26 mm LENGTH



| Part nr. | A | B | D | Type | Seat | Quality Class | Surface | Res. to corrosion |
|---------------|----|----|----------|------|------|---------------|------------|-------------------|
| TN23D26OP | 23 | 26 | M14x1.5 | OPEN | 60° | 8 | Zn White | >96h SST |
| TN23D26OP-ZNN | 23 | 26 | M14x1.5 | OPEN | 60° | 8 | ZnNI Black | >500h SST |
| TN23H26OP | 23 | 26 | 9/16 UNF | OPEN | 60° | 8 | Zn White | >96h SST |
| TN23H26OP-ZNN | 23 | 26 | 9/16 UNF | OPEN | 60° | 8 | ZnNI Black | >500h SST |
| TN23L26OP | 23 | 26 | M14x2 | OPEN | 60° | 8 | Zn White | >96h SST |
| TN23L26OP-ZNN | 23 | 26 | M14x2 | OPEN | 60° | 8 | ZnNI Black | >500h SST |

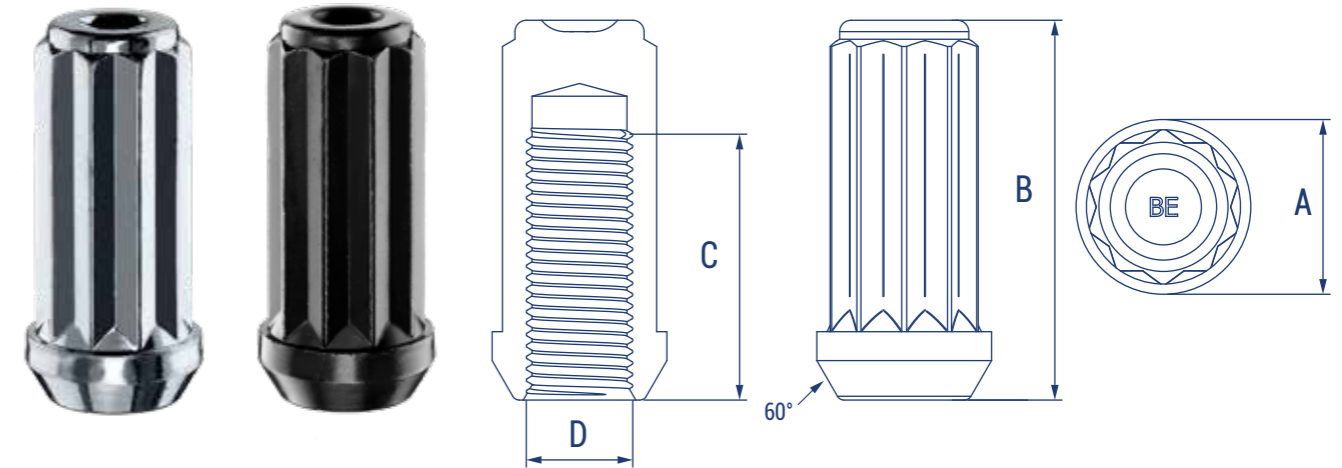
23 mm OUTSIDE DIAMETER
50 mm LENGTH



| Part nr. | A | B | C | D | Type | Seat | Quality Class | Surface | Res. to corrosion |
|--------------|----|----|----|----------|--------|------|---------------|------------|-------------------|
| TN23D50 | 23 | 50 | 35 | M14x1.5 | CLOSED | 60° | 8 | Zn White | >96h SST |
| TN23D50-ZNNI | 23 | 50 | 35 | M14x1.5 | CLOSED | 60° | 8 | ZnNI Black | >500h SST |
| TN23H50 | 23 | 50 | 35 | 9/16 UNF | CLOSED | 60° | 8 | Zn White | >96h SST |
| TN23H50-ZNNI | 23 | 50 | 35 | 9/16 UNF | CLOSED | 60° | 8 | ZnNI Black | >500h SST |
| TN23L50 | 23 | 50 | 35 | M14x2 | CLOSED | 60° | 8 | Zn White | >96h SST |
| TN23L50-ZNNI | 23 | 50 | 35 | M14x2 | CLOSED | 60° | 8 | ZnNI Black | >500h SST |

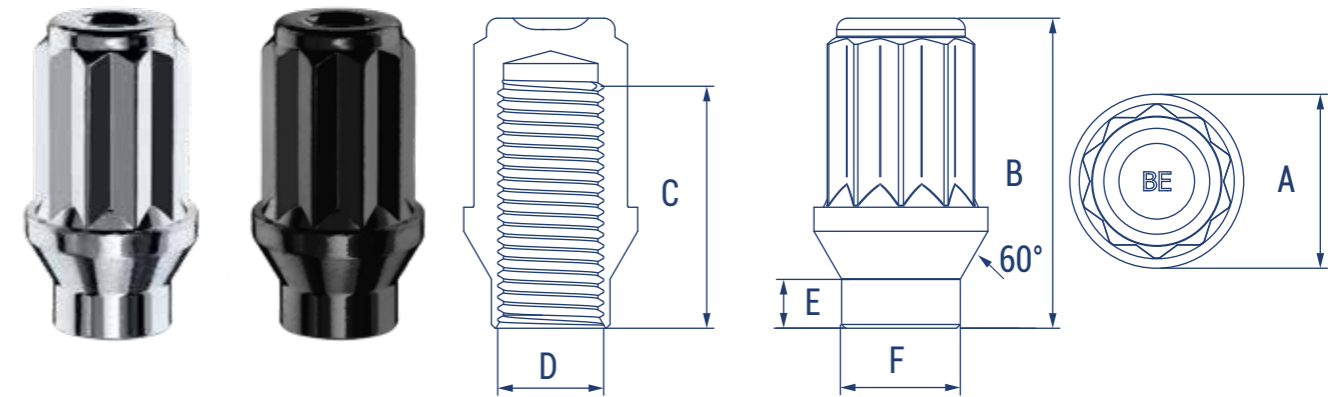
TUNER NUTS

23 mm OUTSIDE DIAMETER
55 mm LENGTH



| Part nr. | A | B | C | D | Type | Seat | Quality Class | Surface | Res. to corrosion |
|--------------|----|----|----|----------|--------|------|---------------|------------|-------------------|
| TN23D55 | 23 | 55 | 43 | M14x1.5 | CLOSED | 60° | 8 | Zn White | >96h SST |
| TN23D55-ZNNI | 23 | 55 | 43 | M14x1.5 | CLOSED | 60° | 8 | ZnNI Black | >500h SST |
| TN23H55 | 23 | 55 | 43 | 9/16 UNF | CLOSED | 60° | 8 | Zn White | >96h SST |
| TN23H55-ZNNI | 23 | 55 | 43 | 9/16 UNF | CLOSED | 60° | 8 | ZnNI Black | >500h SST |
| TN23L55 | 23 | 55 | 43 | M14x2 | CLOSED | 60° | 8 | Zn White | >96h SST |
| TN23L55-ZNNI | 23 | 55 | 43 | M14x2 | CLOSED | 60° | 8 | ZnNI Black | >500h SST |

23 mm OUTSIDE DIAMETER
41 mm LENGTH w/ SHANK



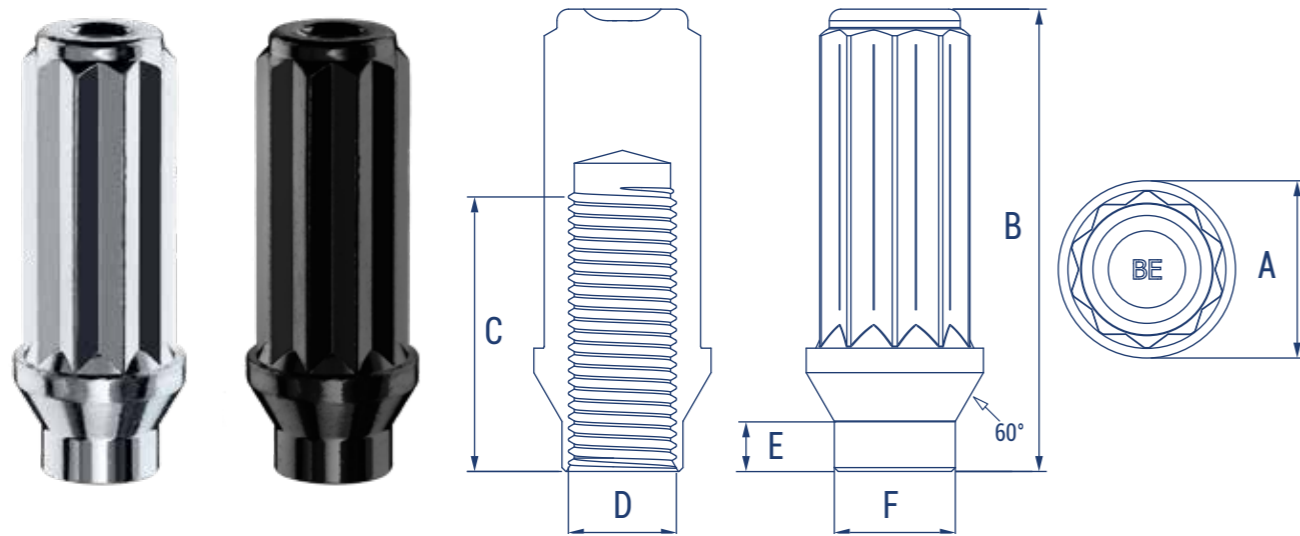
| Part nr. | A | B | C | D | E | F | Type | Seat | Quality Class | Surface | Res. to corrosion |
|-----------------|----|----|----|---------|-----|------|--------|------|---------------|------------|-------------------|
| TNC23D41 | 23 | 41 | 32 | M14x1.5 | 6.5 | 15.7 | CLOSED | 60° | 8 | Zn White | >96h SST |
| TNC23D41-ZNNI | 23 | 41 | 32 | M14x1.5 | 6.5 | 15.7 | CLOSED | 60° | 8 | ZnNI Black | >500h SST |
| TNC23L41 * | 23 | 41 | 32 | M14x2 | 6.5 | 15.7 | CLOSED | 60° | 8 | Zn White | >96h SST |
| TNC23L41-ZNNI * | 23 | 41 | 32 | M14x2 | 6.5 | 15.7 | CLOSED | 60° | 8 | ZnNI Black | >500h SST |

* On request

TUNER NUTS

HEX21 WITH MOVING WASHER

60 mm LENGTH w/ SHANK

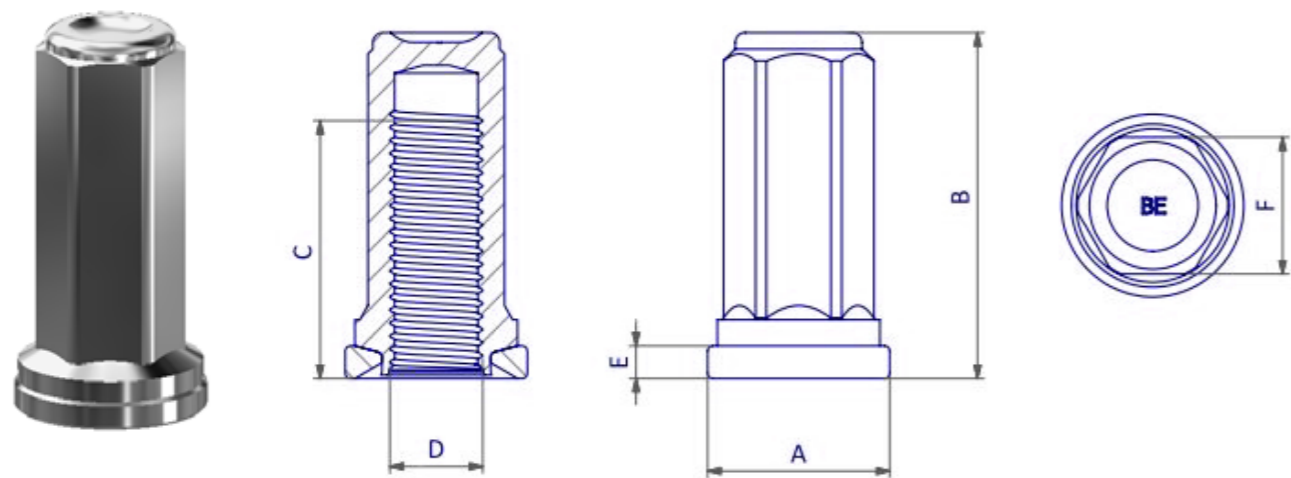


| Part nr. | A | B | C | D | E | F | Type | Seat | Quality Class | Surface | Res. to corrosion |
|-----------------|----|----|----|---------|-----|------|--------|------|---------------|------------|-------------------|
| TNC23D60 | 23 | 60 | 36 | M14x1.5 | 6.5 | 15.7 | CLOSED | 60° | 8 | Zn White | >96h SST |
| TNC23D60-ZNNI | 23 | 60 | 36 | M14x1.5 | 6.5 | 15.7 | CLOSED | 60° | 8 | ZnNI Black | >500h SST |
| TNC23L60 * | 23 | 60 | 36 | M14x2 | 6.5 | 15.7 | CLOSED | 60° | 8 | Zn White | >96h SST |
| TNC23L60-ZNNI * | 23 | 60 | 36 | M14x2 | 6.5 | 15.7 | CLOSED | 60° | 8 | ZnNI Black | >500h SST |

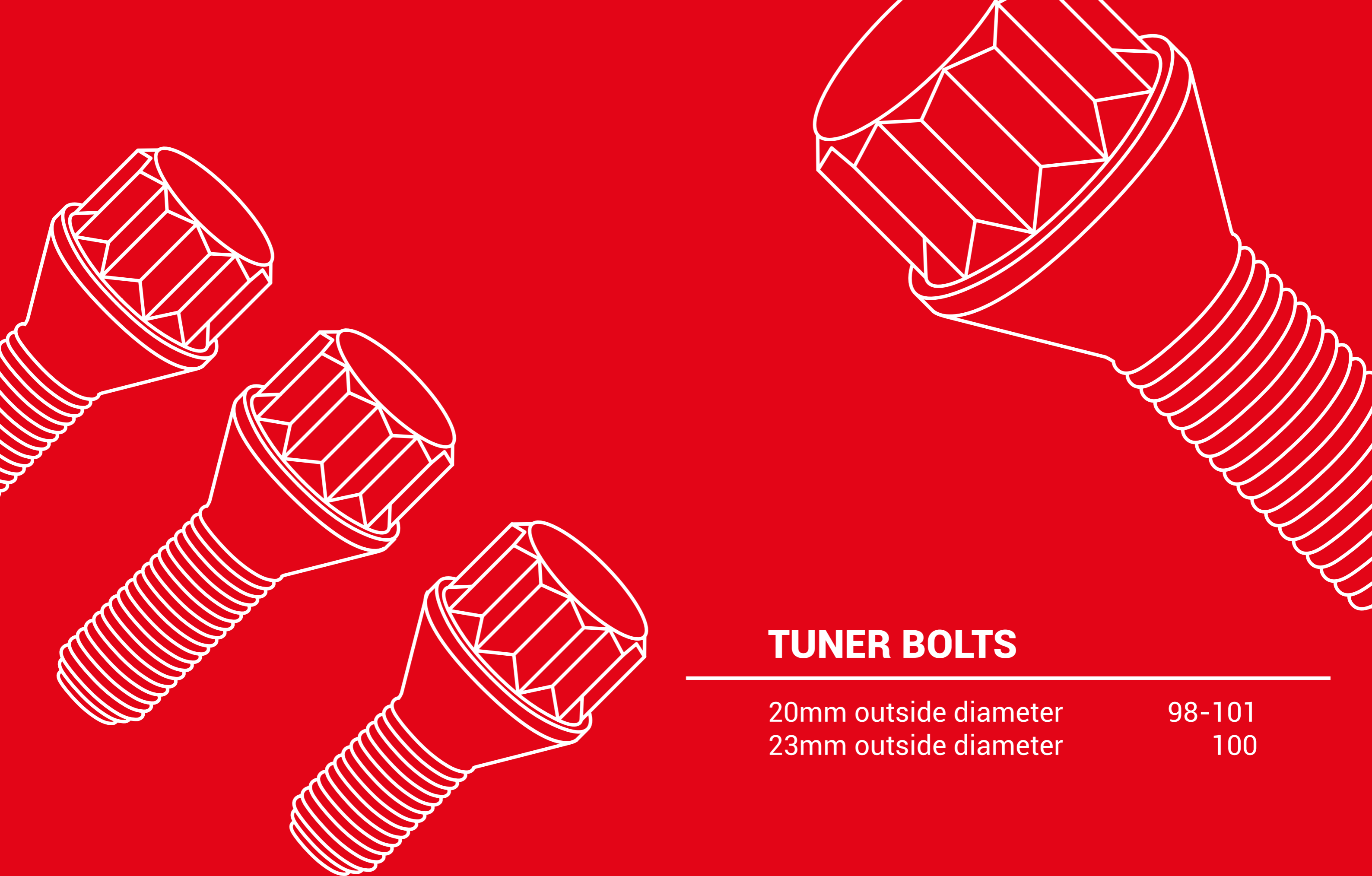
* On request

HEX21 WITH MOVING WASHER

50 mm LENGTH



| Part nr. | A | B | C | D | E | F | Type | Seat | Quality Class | Surface | Res. to corrosion |
|----------|----|----|------|-------|---|----|--------|------|---------------|----------|-------------------|
| DFDX2-55 | 28 | 53 | 40.5 | M14x2 | 5 | 21 | CLOSED | FLAT | 8 | Zn White | >96h SST |



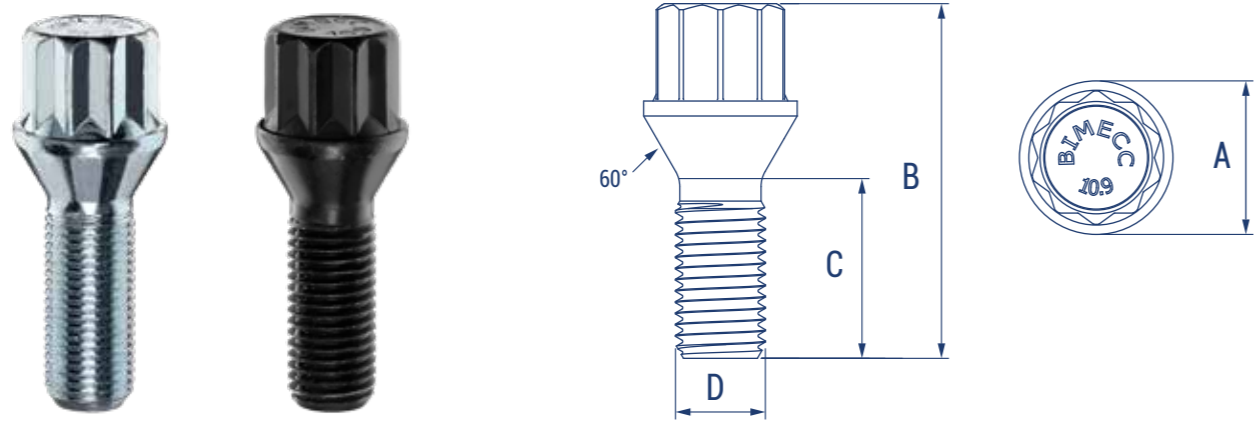
TUNER BOLTS

20mm outside diameter
23mm outside diameter

98-101
100

TUNER BOLTS

20 mm OUTSIDE DIAMETER
M 12



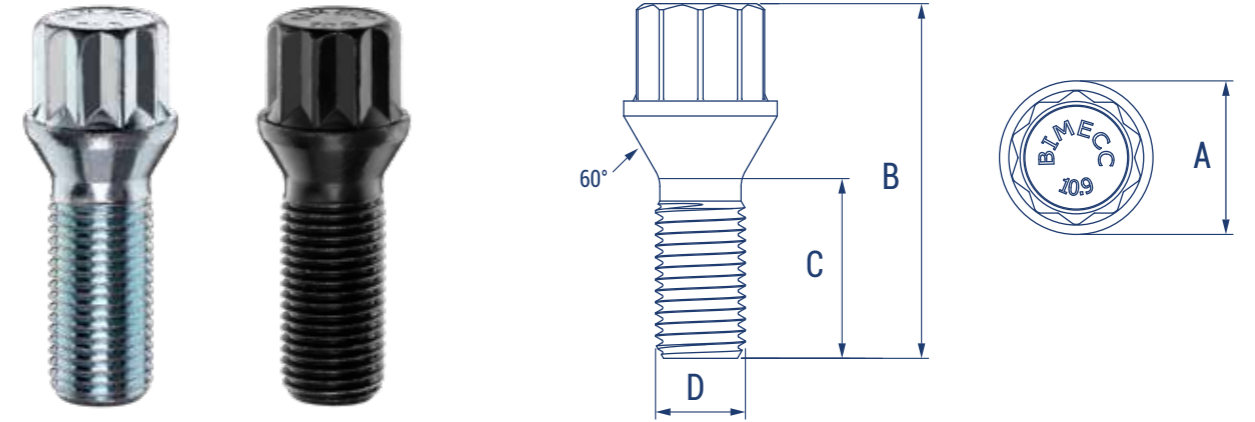
| Part nr. | A | B | C | D | Seat | Quality Class | Surface | Res. to corrosion |
|----------------|----|------|----|----------|------|---------------|------------|-------------------|
| TB20A24 | 20 | 47.4 | 24 | M12x1.5 | 60° | 10.9 | Zn White | >96h SST |
| TB20A24-ZNNI | 20 | 47.4 | 24 | M12x1.5 | 60° | 10.9 | ZnNI Black | >500h SST |
| TB20A26 * | 20 | 49.4 | 26 | M12x1.5 | 60° | 10.9 | Zn White | >96h SST |
| TB20A26-ZNNI * | 20 | 49.4 | 26 | M12x1.5 | 60° | 10.9 | ZnNI Black | >500h SST |
| TB20A28 | 20 | 51.4 | 28 | M12x1.5 | 60° | 10.9 | Zn White | >96h SST |
| TB20A28-ZNNI | 20 | 51.4 | 28 | M12x1.5 | 60° | 10.9 | ZnNI Black | >500h SST |
| TB20B24 * | 20 | 47.2 | 24 | M12x1.25 | 60° | 10.9 | Zn White | >96h SST |
| TB20B24-ZNNI * | 20 | 47.2 | 24 | M12x1.25 | 60° | 10.9 | ZnNI Black | >500h SST |
| TB20B26 * | 20 | 49.2 | 26 | M12x1.25 | 60° | 10.9 | Zn White | >96h SST |
| TB20B26-ZNNI * | 20 | 49.2 | 26 | M12x1.25 | 60° | 10.9 | ZnNI Black | >500h SST |
| TB20B28 | 20 | 51.2 | 28 | M12x1.25 | 60° | 10.9 | Zn White | >96h SST |
| TB20B28-ZNNI | 20 | 51.2 | 28 | M12x1.25 | 60° | 10.9 | ZnNI Black | >500h SST |

* On request



TUNER BOLTS

20 mm OUTSIDE DIAMETER
M 14



| Part nr. | A | B | C | D | Seat | Quality Class | Surface | Res. to corrosion |
|----------------|----|------|----|----------|------|---------------|------------|-------------------|
| TB20D26 | 20 | 47.6 | 26 | M14x1.5 | 60° | 10.9 | Zn White | >96h SST |
| TB20D26-ZNNI | 20 | 47.6 | 26 | M14x1.5 | 60° | 10.9 | ZnNI Black | >500h SST |
| TB20D28 * | 20 | 49.6 | 28 | M14x1.5 | 60° | 10.9 | Zn White | >96h SST |
| TB20D28-ZNNI * | 20 | 49.6 | 28 | M14x1.5 | 60° | 10.9 | ZnNI Black | >500h SST |
| TB20D30 | 20 | 51.6 | 30 | M14x1.5 | 60° | 10.9 | Zn White | >96h SST |
| TB20D30-ZNNI | 20 | 51.6 | 30 | M14x1.5 | 60° | 10.9 | ZnNI Black | >500h SST |
| TB20D33 | 20 | 54.6 | 33 | M14x1.5 | 60° | 10.9 | Zn White | >96h SST |
| TB20D33-ZNNI | 20 | 54.6 | 33 | M14x1.5 | 60° | 10.9 | ZnNI Black | >500h SST |
| TB20F25 | 20 | 46.5 | 25 | M14x1.25 | 60° | 10.9 | Zn White | >96h SST |
| TB20F25-ZNNI | 20 | 46.5 | 25 | M14x1.25 | 60° | 10.9 | ZnNI Black | >500h SST |
| TB20F27 * | 20 | 48.5 | 27 | M14x1.25 | 60° | 10.9 | Zn White | >96h SST |
| TB20F27-ZNNI * | 20 | 48.5 | 27 | M14x1.25 | 60° | 10.9 | ZnNI Black | >500h SST |
| TB20F30 | 20 | 51.5 | 30 | M14x1.25 | 60° | 10.9 | Zn White | >96h SST |
| TB20F30-ZNNI | 20 | 51.5 | 30 | M14x1.25 | 60° | 10.9 | ZnNI Black | >500h SST |

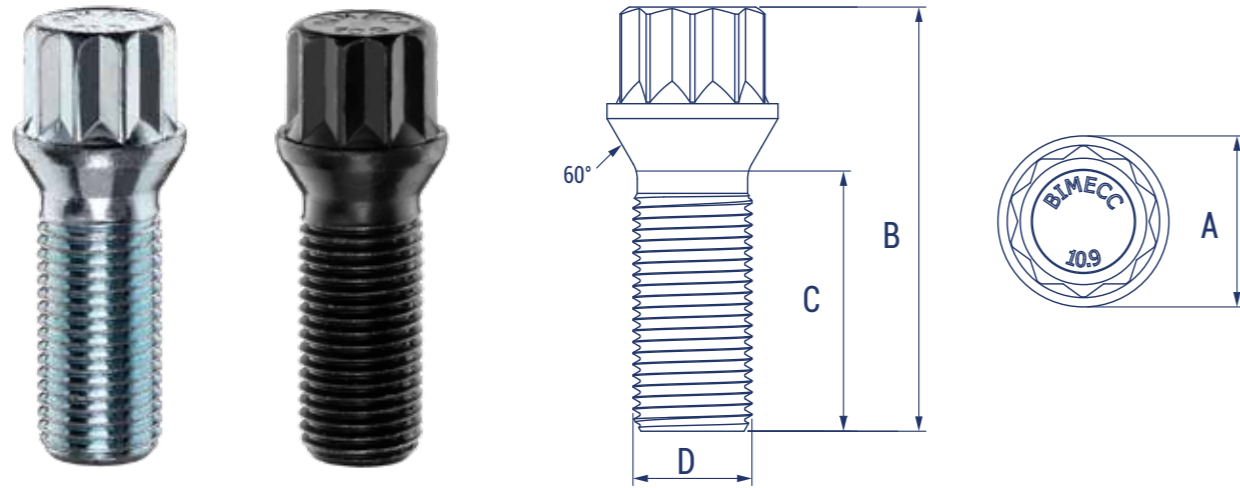
* On request



TUNER BOLTS

23 mm OUTSIDE DIAMETER

M 16

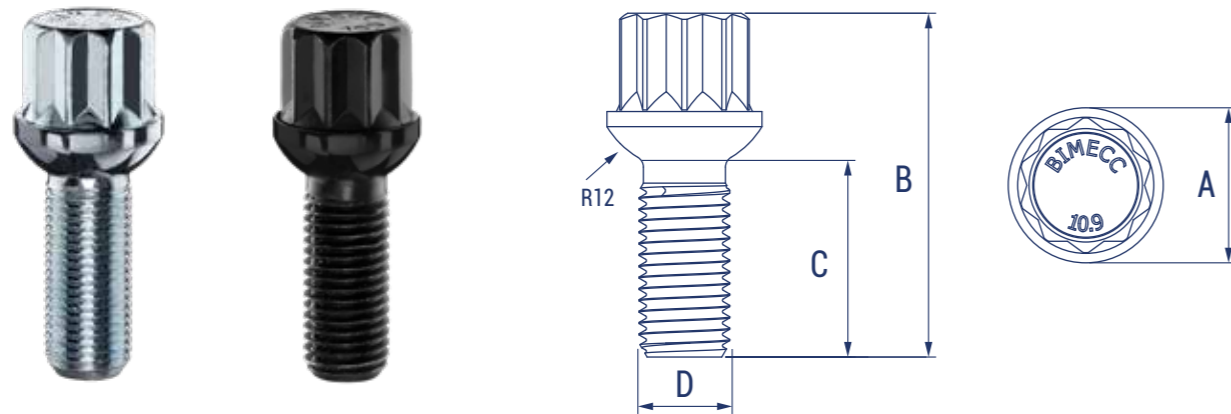


| Part nr. | A | B | C | D | Seat | Quality Class | Surface | Res. to corrosion |
|----------------|----|------|----|---------|------|---------------|------------|-------------------|
| TB23J35 * | 23 | 57.1 | 35 | M16x1.5 | 60° | 10.9 | Zn White | >96h SST |
| TB23J35-ZNNI * | 23 | 57.1 | 35 | M16x1.5 | 60° | 10.9 | ZnNI Black | >500h SST |

* On request

20 mm OUTSIDE DIAMETER

M 12 RADIUS 12



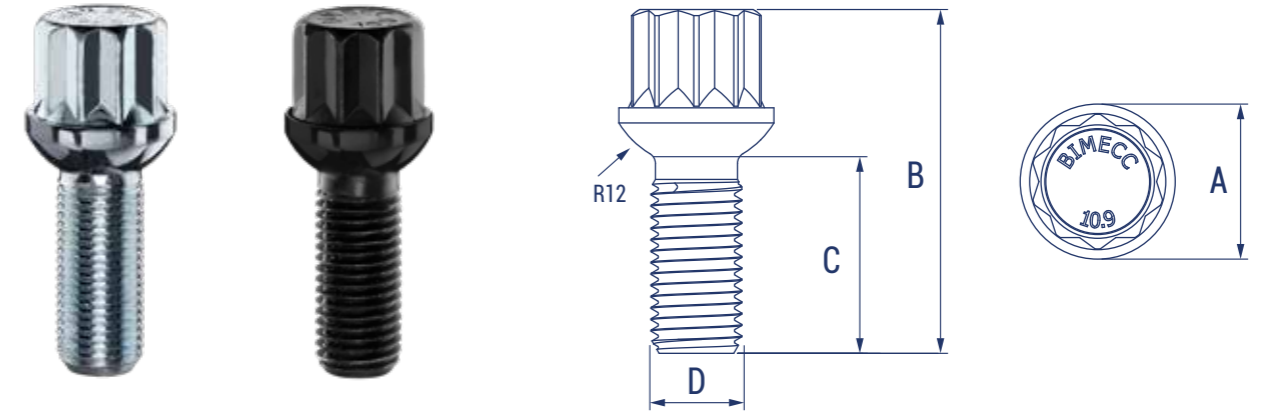
| Part nr. | A | B | C | D | Seat | Quality Class | Surface | Res. to corrosion |
|-----------------|----|------|----|---------|-----------|---------------|------------|-------------------|
| TB20A26R * | 20 | 45.5 | 26 | M12x1.5 | Radius 12 | 10.9 | Zn White | >96h SST |
| TB20A26R-ZNNI * | 20 | 45.5 | 26 | M12x1.5 | Radius 12 | 10.9 | ZnNI Black | >500h SST |
| TB20A28R * | 20 | 47.5 | 28 | M12x1.5 | Radius 12 | 10.9 | Zn White | >96h SST |
| TB20A28R-ZNNI * | 20 | 47.5 | 28 | M12x1.5 | Radius 12 | 10.9 | ZnNI Black | >500h SST |

* On request

TUNER BOLTS

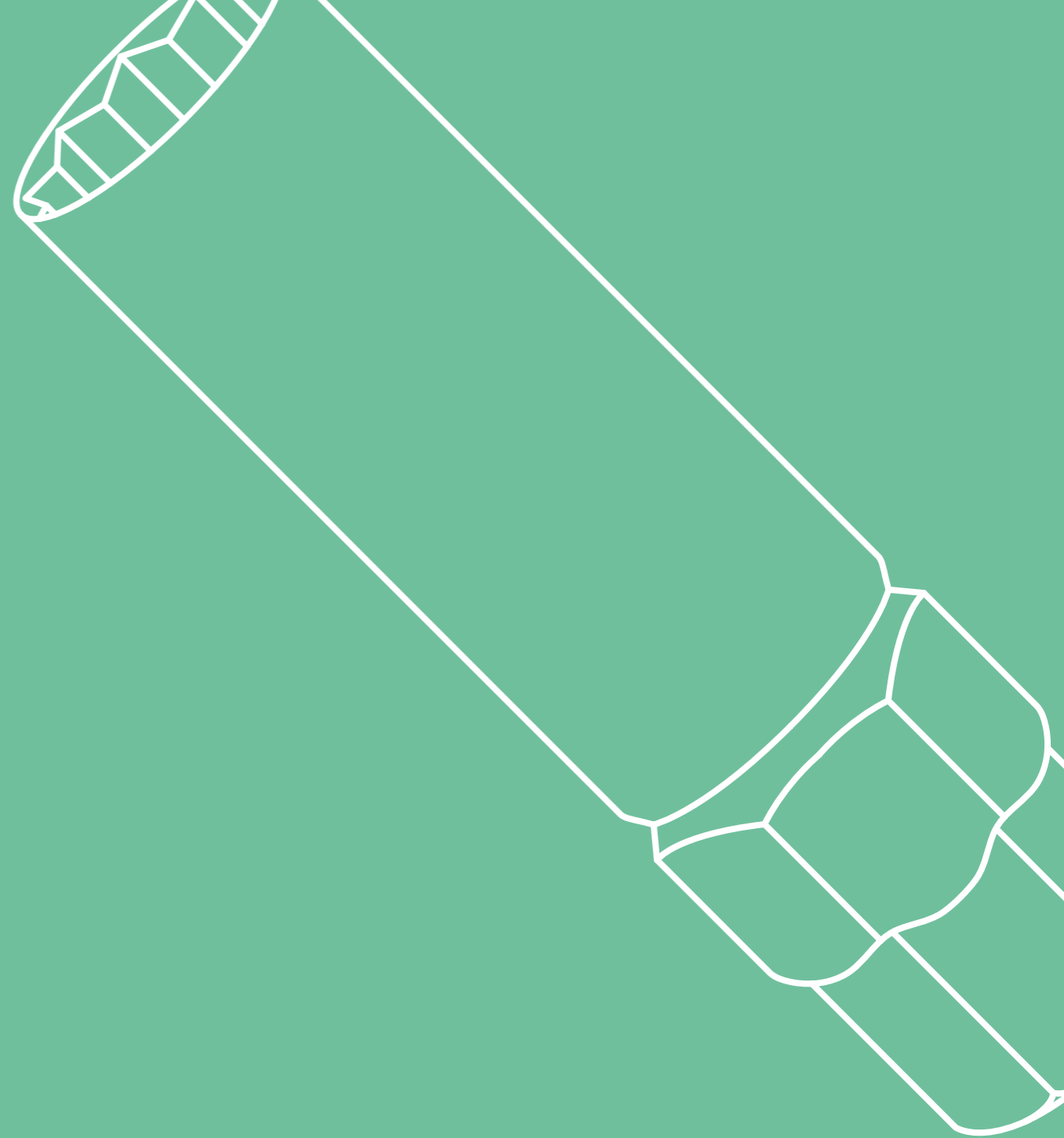
20 mm OUTSIDE DIAMETER

M 14 RADIUS 12



| Part nr. | A | B | C | D | Seat | Quality Class | Surface | Res. to corrosion |
|-----------------|----|------|----|---------|-----------|---------------|------------|-------------------|
| TB20D27R * | 20 | 45.9 | 27 | M14x1.5 | Radius 12 | 10.9 | Zn White | >96h SST |
| TB20D27R-ZNNI * | 20 | 45.9 | 27 | M14x1.5 | Radius 12 | 10.9 | ZnNI Black | >500h SST |
| TB20D30R * | 20 | 48.9 | 30 | M14x1.5 | Radius 12 | 10.9 | Zn White | >96h SST |
| TB20D30R-ZNNI * | 20 | 48.9 | 30 | M14x1.5 | Radius 12 | 10.9 | ZnNI Black | >500h SST |

* On request



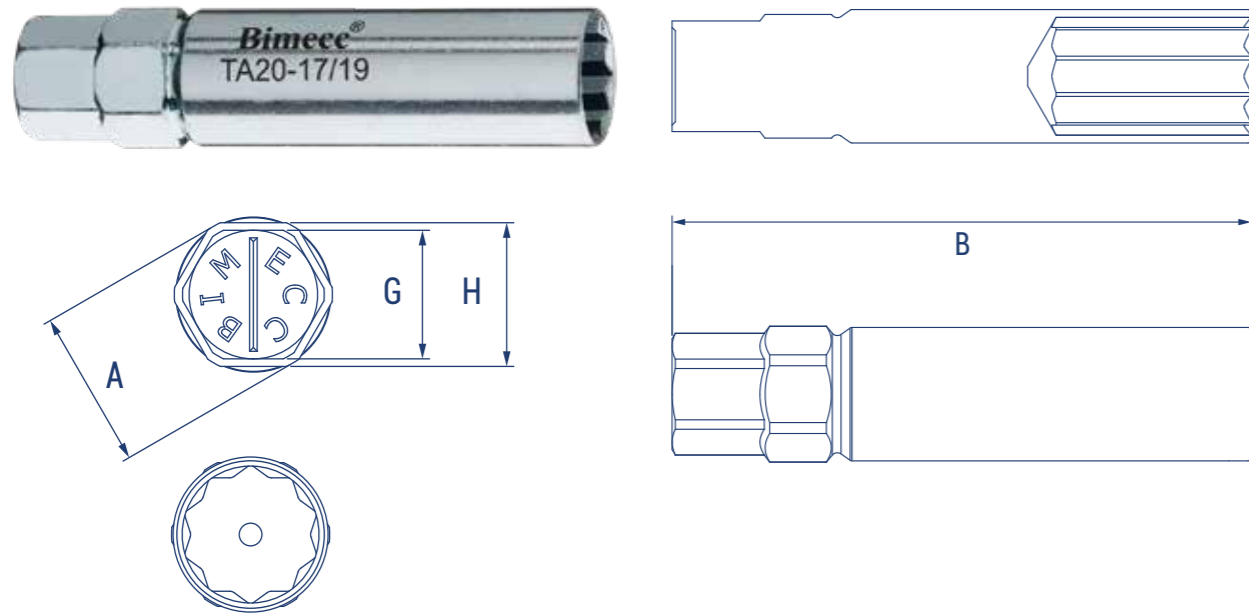
ACCESSORIES

Tuner Lug Adaptors

104-106

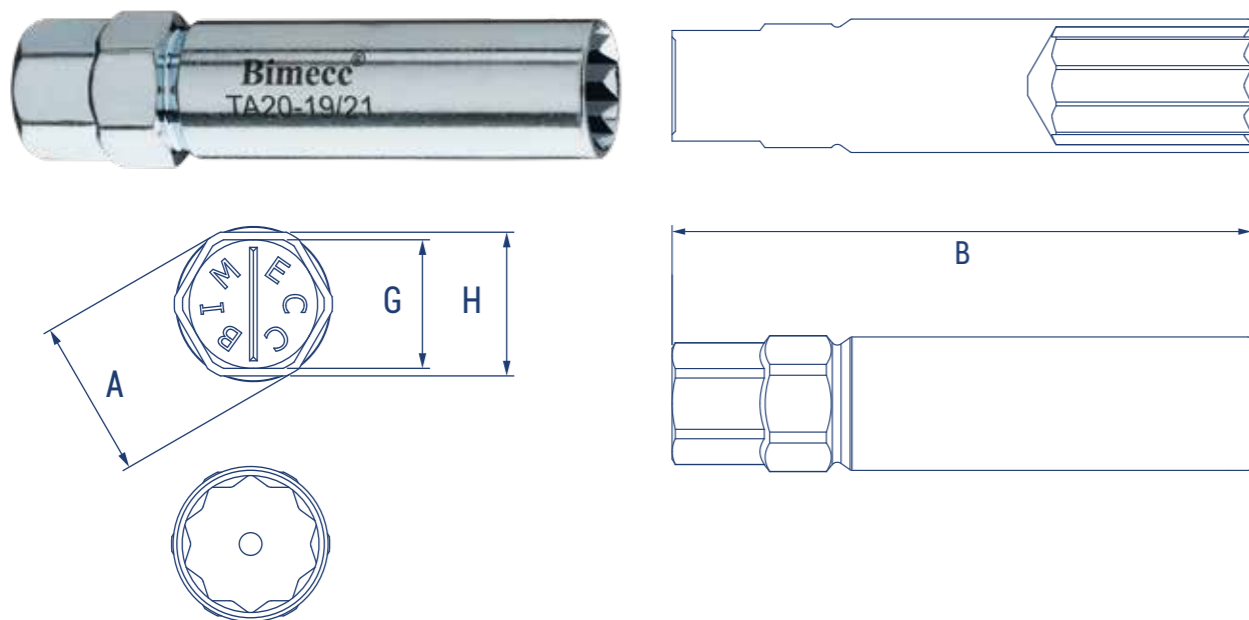
ACCESSORIES

20 mm OUTSIDE DIAMETER
17 - 19 mm HEX



| Part nr. | A | B | G | H | Quality Class | Surface | Res. to corrosion |
|-----------|----|----|----|----|---------------|----------|-------------------|
| TA20-1719 | 20 | 89 | 17 | 19 | 10.9 | Zn White | >96h SST |

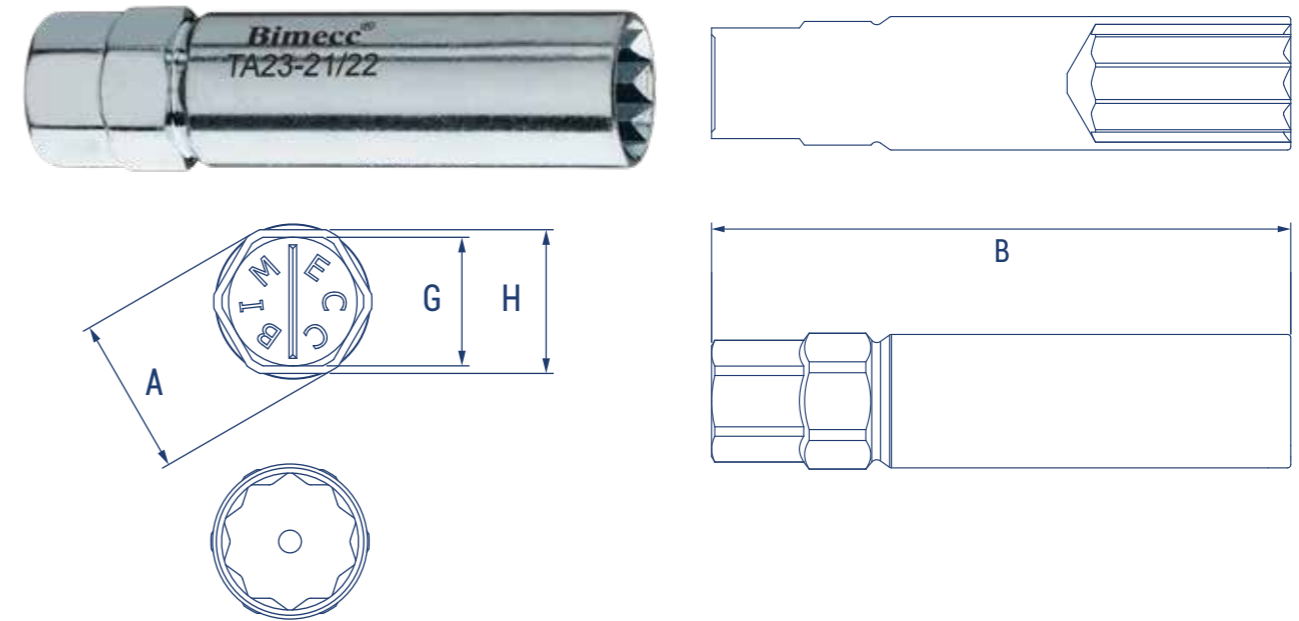
20 mm OUTSIDE DIAMETER
19 - 21 mm HEX



| Part nr. | A | B | G | H | Quality Class | Surface | Res. to corrosion |
|-----------|----|----|----|----|---------------|----------|-------------------|
| TA20-1921 | 20 | 89 | 19 | 21 | 10.9 | Zn White | >96h SST |

ACCESSORIES

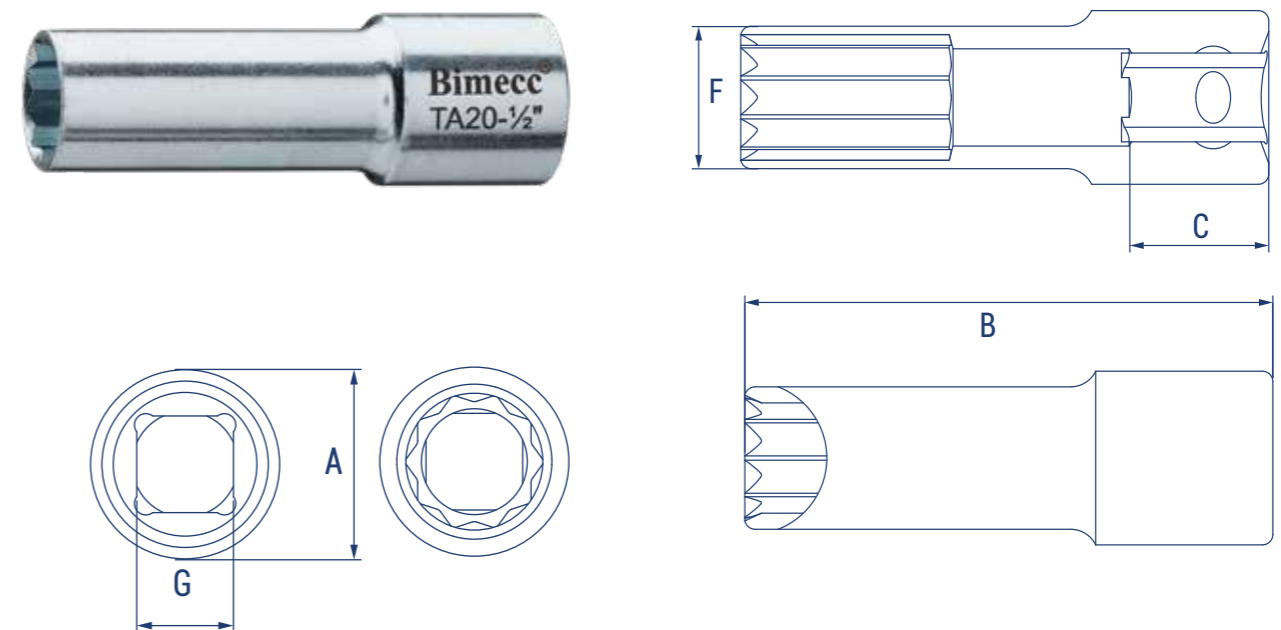
23 mm OUTSIDE DIAMETER
21 - 22 mm HEX



| Part nr. | A | B | G | H | Quality Class | Surface | Res. to corrosion |
|-----------|----|----|----|----|---------------|----------|-------------------|
| TA23-2122 | 23 | 90 | 21 | 22 | 10.9 | Zn White | >96h SST |

20 mm OUTSIDE DIAMETER

ALSO AVAILABLE IN BLACK



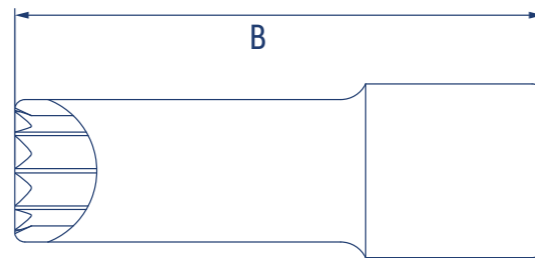
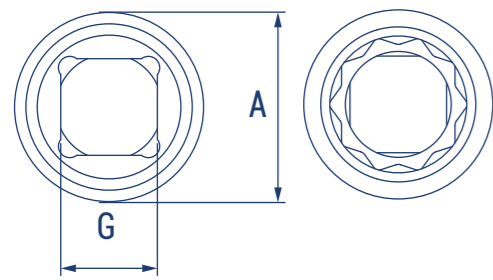
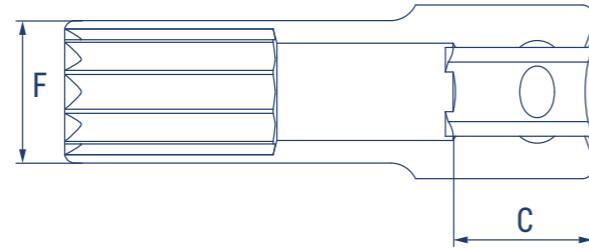
| Part nr. | A | B | C | F | G | Surface | Res. to corrosion |
|-----------|----|----|----|----|------|----------|-------------------|
| TA20-1/2" | 25 | 76 | 16 | 20 | 1/2" | Zn White | >96h SST |

ACCESSORIES

20 mm OUTSIDE DIAMETER

17 - 19 mm HEX

ALSO AVAILABLE IN BLACK



| Part nr. | A | B | C | F | G | Surface | Res. to corrosion |
|-----------|----|----|----|----|------|----------|-------------------|
| TA23-1/2" | 25 | 76 | 16 | 23 | 1/2" | Zn White | >96h SST |

Archita



DESIGN

The manufacture of a simple screw requires a highly specialised understanding of materials, manufacturing processes, technical details, product specifications, end uses, sealing and fastening properties, and life expectancy. Each Archita product reveals the skill of our technical department, which designs every single screw down to the smallest detail.



RELIABILITY

In order to guarantee an impeccable finished product, Vitop manages the entire manufacturing process directly in-house, from rod drawing to the finished product, including the final galvanising and coating treatments. We are able to do this thanks to our range of cutting-edge, high quality, electronically controlled automatic machinery.



QUALITY

The extremely high quality of its screws has placed Archita at the top of its sector for reliability on an international level. This is thanks to the "complete service" that we provide, from design to manufacture, which strives for "absolute quality" at each stage of the process.



ZERO WASTE

Archita has always made the reliability and quality of the finished product its main strength. This is why company resources are often assigned to investments aimed at constantly improving quality and precisely monitoring the various stages of the manufacturing process.



MADE TO MEASURE

The world of manufacturing today requires a careful dialogue with customers spread across the world who make decisions based not only on the products and their cost price, but also on the supplying company's ability to assist them step by step. Archita is able to offer a true "made to measure" product by efficiently combining technologies and solutions.



THE RANGE

Archita produces all kinds of screws, using a vast range of different materials: from carbon steel alloys to stainless steel, from copper to aluminium. Its broad manufacturing versatility makes Archita a reliable partner for companies that manufacture high-technology goods.

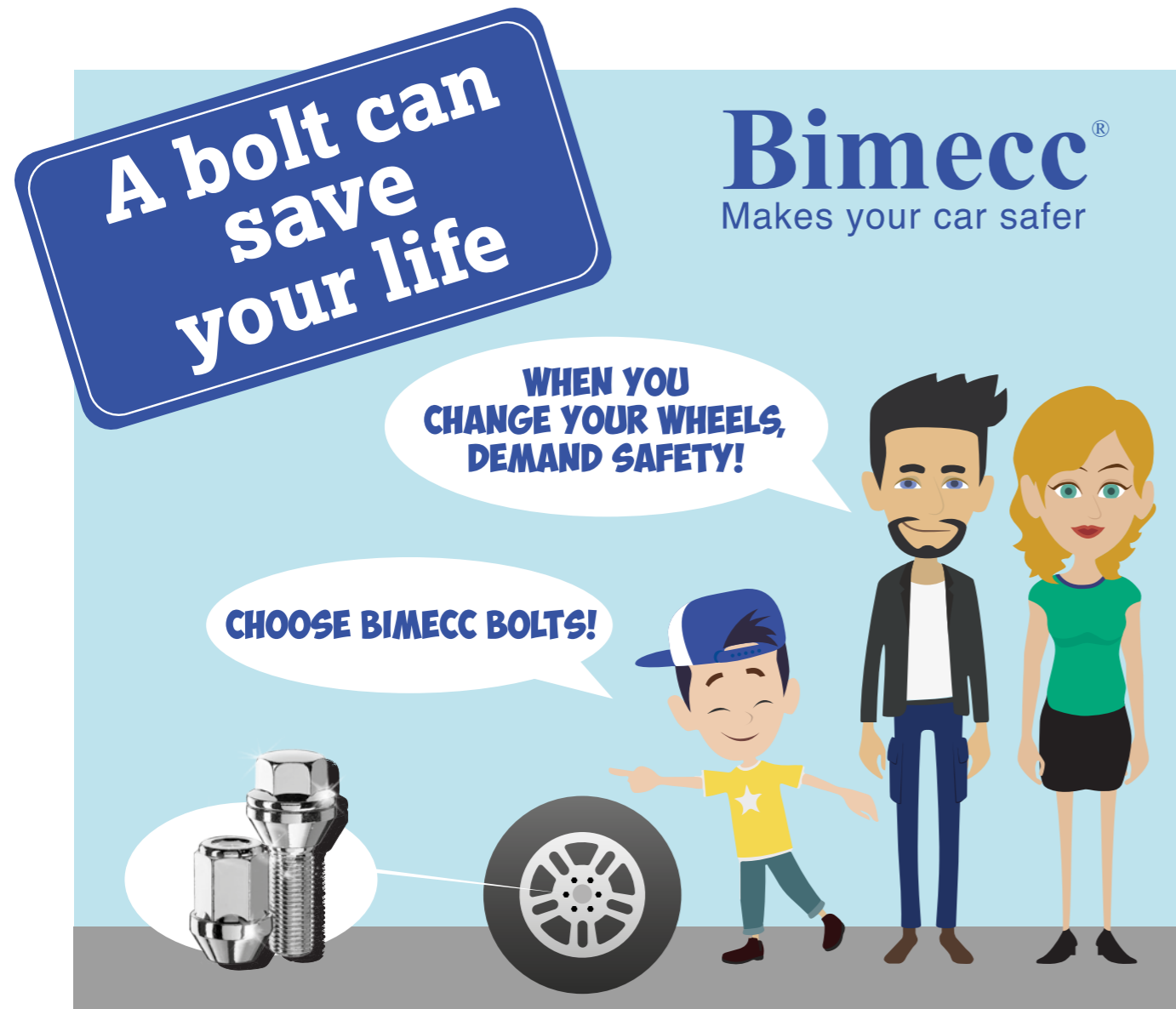
PRODUCTS

Archita produces all kinds of screws, using a vast range of different materials: from carbon steel alloys to stainless steel, from copper to aluminium. Its broad manufacturing versatility makes Archita a reliable partner for companies that manufacture high-technology goods.



Bimecc is focusing on a communication based on safety.

Find out more on our main social media and visit our website www.bimecc.it to see our full range of products.



Bimecc Engineering S.p.A.

Via Volta 18
35030 Veggiano (PD)
Italy
Tel. 0039 0499048311
Fax 0039 0499001738
<http://www.bimecc.it>
e-mail: sales@bimecc.it

Bimecc UK Ltd

Unit 10 Handley Page Way
Old Parkbury Lane, Colney
Street, St Albans,
Herts AL2 2DQ UK
Tel 0044 (0) 1923 855234
Fax 0044 (0) 1923 855254
e-mail: sales@bimecc.co.uk

Bimecc USA inc.

7391 Heil Avenue, Suite 105
Huntington Beach
92647 California USA
Tel 0017143751140
Fax 0017143751142
e-mail: info@bimecc-usa.com

Bimecc[®]
lug nuts & bolts